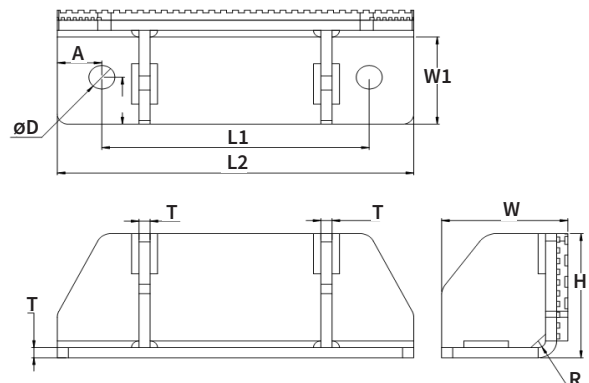


Dimension	SPECIFICATIONS- SEISMIC SNUBBER											
	MAX LATERAL LOAD ALLOWED-WITHOUT NEOPRENE PADS UNDER SNUBBER		MAX LATERAL LOAD ALLOWED-WITH NEOPRENE PADS UNDER SNUBBER		øD		W		L2		APPROXIMATE WEIGHT	
	Lbs.	Kg	Lbs.	Kg	in	mm	in	mm	in	mm	Lbs.	Kg
ISS-1200-2500	2790	1265	2525	1145	7/8	23	3/8	10	12	305	14	6.4

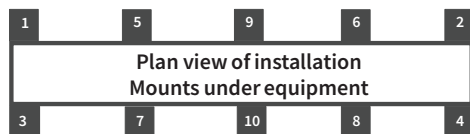
MODEL: ISS-1200-2500													
Model	L1		W		H		R		A		B		
	in	mm	in	mm	in	mm	in	mm	in	mm	in	mm	
ISS-1200-2500	9	229	4 1/4	108	4 5/8	118	5/8	16	1 1/2	39	1 3/4	45	

**Notes:**

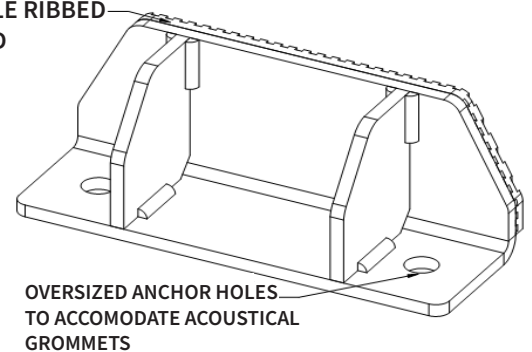
- Seismic snubbers are made of high yield/strength steel material and are designed for 1 g lateral force
- Seismic snubbers have powder-coat finish to provide maximum corrosion resistance
- Seismic Load calculation must be performed to ensure proper selection of product. Anchor type, embedment, edge distance and anchor size have direct effect on snubber capacity



ISOLATOR LOCATIONS	
1:	6:
2:	7:
3:	8:
4:	9:
5:	10:



3/8" THK DOUBLE RIBBED NEOPRENE PAD



PROJECT INFORMATION		EQUIPMENT INFORMATION		Canada location	USA Location	VISCMA MEMBER
Customer:		Type:		35 Siltan Road Woodbridge ON L4L 7Z8 CANADA T: 905-856-5001	7700 Irvine Centre Drive Suite 800 Irvine, CA, 92618 U.S.A T: 949-788-2930	
Project:		Qty Required:				
Drawing No:		Operating Weight:				
Notes:				www.isotechindustries.com		