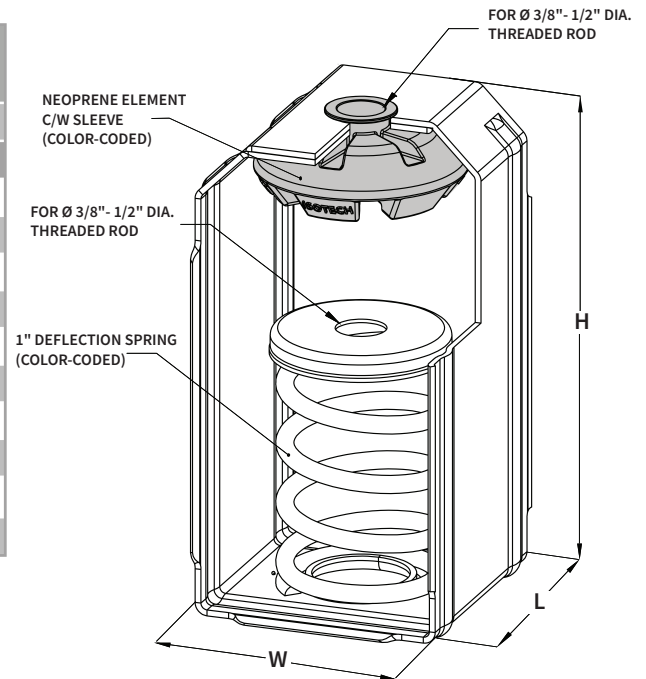


SPECIFICATIONS - 1" DEFLECTION SPRING HANGER IN LINE WITH NEOPRENE ELEMENT

Model	Rated Load		Rated Deflection		Spring Color		Approx. WT.	
	lbs.	KN	in	mm	outer	inner	lbs.	Kg
IHAE-30	30	0.134	1.0	25.4	YELLOW		1.55	0.71
IHAE-50	50	0.223	1.0	25.4	GREEN	RED	1.55	0.71
IHAE-100	100	0.445	1.0	25.4	BLACK		1.65	0.75
IHAE-150	150	0.668	1.0	25.4	RED	BLUE	1.65	0.75
IHAE-200	200	0.89	1.0	25.4	BLUE		1.80	0.82
IHAE-300	300	1.335	1.0	25.4	WHITE	BLACK	1.85	0.84
IHAE-400	400	1.78	1.0	25.4	GREEN		2.00	0.91
IHAE-500	500	2.225	1.0	25.4	ORANGE	GREEN	2.05	0.93
IHAE-600	600	2.669	1.0	25.4	GREY	YELLOW	2.15	0.98


HARDWARE NOT INCLUDED - SPRING CUP: ZINC PLATED



Model					
IHAE-30-600					
H		W		L	
in	mm	in	mm	in	mm
5 1/2	140	2 3/8	67	2 1/2	64

Notes:

- Housing is designed to allow 30° misalignment for hanger rod
- Neoprene Element is designed to provide up to 0.35" deflection at rated load
- Springs are powder – coated for maximum corrosion protection, and are designed to have minimum 50% over travel under rated load

PROJECT INFORMATION		EQUIPMENT INFORMATION		Canada location	USA Location	
Customer:		Type:		35 Silton Road Woodbridge ON L4L 7Z8 CANADA T: 905-856-5001	7700 Irvine Centre Drive Suite 800 Irvine, CA, 92618 U.S.A T: 949-788-2930	
Project:		Qty Required:				
Drawing No:		Operating Weight:				
Notes:						www.isotechindustries.com