

# Seismically Rated Isolator Attachment To Concrete Structure

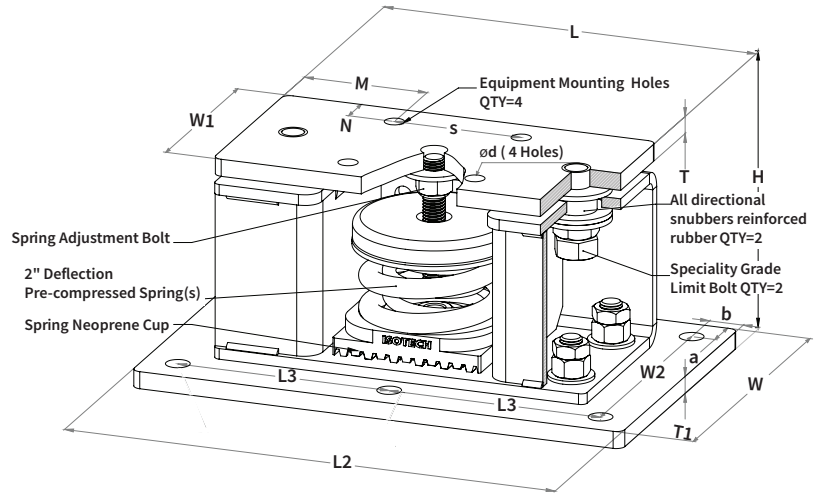
File No. : ISOCS-ICSSC-2-100-4500

Date: 12/18/15

ISOIN-ICSSC-2-100-4500, Installation Instructions document, to be reviewed for installation

## SPECIFICATIONS - 2" DEFLECTION RATED RESTRAINED SPRING - FOR ATTACHMENT TO CONCRETE STRUCTURE

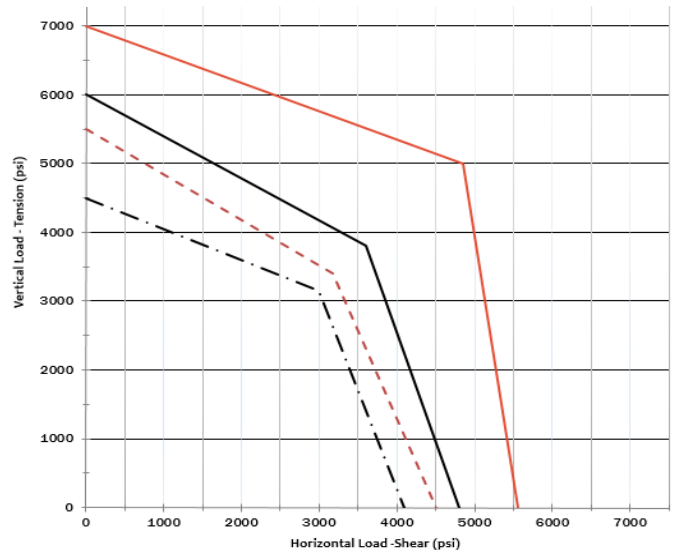
Model	Rated Load		Rated Deflection		Spring Color		Approx. WT.	
	lb.	KN	in	mm	outer	inner	lb.	Kg
ICSSC-2-100	100	0.445	2.0	50.8	RED	---	47.88	21.72
ICSSC-2-200	200	0.89	2.0	50.8	WHITE	---	47.98	21.77
ICSSC-2-300	300	1.335	2.0	50.8	WHITE	GREY	48.18	21.86
ICSSC-2-400	400	1.78	2.0	50.8	WHITE	ORANGE	48.28	21.9
ICSSC-2-500	500	2.225	2.0	50.8	BROWN	---	48.38	21.95
ICSSC-2-600	600	2.669	2.0	50.8	BROWN	GREY	48.48	22
ICSSC-2-800	800	3.559	2.0	50.8	BLUE	---	48.68	22.09
ICSSC-2-1000	1000	4.449	2.0	50.8	BLUE	GREY	48.78	22.13
ICSSC-2-1200	1200	5.338	2.0	50.8	GREEN	ORANGE	49.38	22.4
ICSSC-2-1500	1500	6.673	2.0	50.8	GREY	---	49.18	22.31
ICSSC-2-1800	1800	8.007	2.0	50.8	GREY	YELLOW	49.68	22.54
ICSSC-2-2000	2000	8.897	2.0	50.8	YELLOW	---	49.28	22.36
ICSSC-2-2200	2300	9.787	2.0	50.8	YELLOW	ORANGE	49.88	22.63
ICSSC-2-2500	2500	11.121	2.0	50.8	ORANGE	---	49.48	22.45
ICSSC-2-2800	2800	12.455	2.0	50.8	ORANGE	YELLOW	50.28	22.81
ICSSC-2-3000	3000	13.345	2.0	50.8	BLACK	---	49.88	22.63
ICSSC-2-3500	3500	15.569	2.0	50.8	BLACK	WHITE	50.68	22.99
ICSSC-2-3800	3800	16.904	2.0	50.8	BLACK	RED	51.08	23.17
ICSSC-2-4000	4000	17.793	2.0	50.8	BLACK	BLUE	51.28	23.27
ICSSC-2-4500	4500	20.017	2.0	50.8	BLACK	BROWN	60.58	27.48



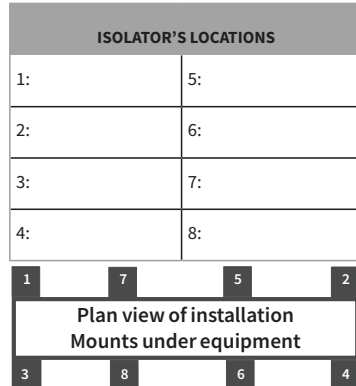
\* Anchor capacity is based on 4000 psi reinforce concrete( cracked concrete) with minimum 6" edge distance. Hilti anchors- Type KBTZ - were considered for all calculations. Detailed calculations must be performed if different anchors are used.

ICSSC- 100-4500 Load Capacity Envelope

- Attached to concrete structure with (6) 5/8" Hilti KB TZ (4" Embedment) -6" slab
- - Attached to concrete structure with (4) 5/8" Hilti KB TZ (4" Embedment) -6" slab
- Attached to concrete structure with (6) 1/2" Hilti KB TZ (3 1/4" Embedment) -6" slab
- - Attached to concrete structure with (6) 1/2" Hilti KB TZ (2" Embedment) -6" slab



Model							
ICSSC-2-100-4500							
L1		L2		L3		T & T1	
in	mm	in	mm	in	mm	in	mm
11	280	14 1/2	369	6 1/4	159	1/2	13
W		W1		W2		ø D	
in	mm	in	mm	in	mm	in	mm
9 1/8	232	5 3/8	143	7 1/8	181	1 1/8	18
H		M		N		S	
in	mm	in	mm	in	mm	in	mm
6 3/8	162	3 3/4	96	1 1/8	18	4	102
a		b		ød		SPRING BOLT ADJUSTMENT	
in	mm	in	mm	in	mm	%"	
1	25	1	25	3/16	15		



**Notes:**

- ICSSC-2-100-4500 isolators are all Pre-Compressed to allow the lowest overall installation height and to offer significant labor saving during installation
- All springs have additional travel to solid equal to 50% of the Rated Deflection with minimum Kx/Ky ratio of 1.0 - All Elements are safe at solid load
- Spring(s) are powder - coated to provide maximum corrosion resistance , and are color-coded for easy identification at site - see table above
- Hot-Dip Galvanized finish for Housing to offer maximum corrosion resistance for isolator - Hardware and Spring Compression Cup are zinc -electroplated
- ICSSC-2-100-4500 isolators are designed to allow replacement of reinforced rubber snubber without disturbing equipment. Reinforced rubber snubbers are installed to prevent metal to metal contact
- 1/2" THK plate, with the same dimensions of isolator top plate, must be installed on top of isolator, when less than 80% of isolator's top plate is covered

PROJECT INFORMATION		EQUIPMENT INFORMATION		Canada location		USA Location		VISCMA MEMBER
Customer:		Type:		35 Siltan Road	7700 Irvine Centre Drive			
Project:		Qty Required:		Woodbridge ON	Suite 800			
Drawing No:		Operating Weight:		L4L 7Z8 CANADA	Irvine, CA, 92618 U.S.A			
Notes:				T: 905-856-5001	T: 949-788-2930			
				www.isotechindustries.com				