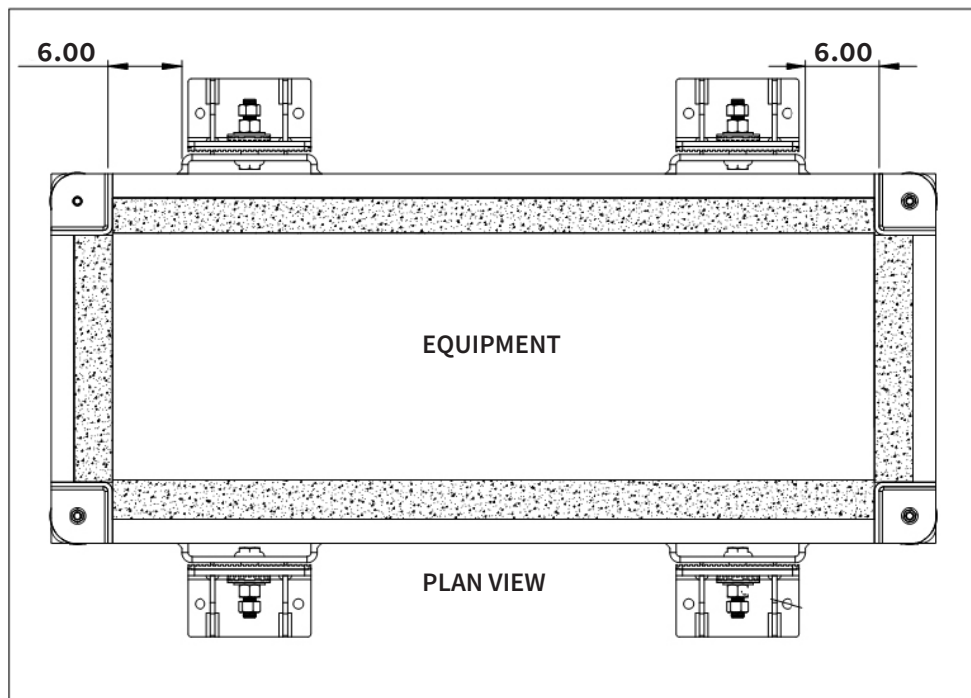


IMPORTANT NOTE

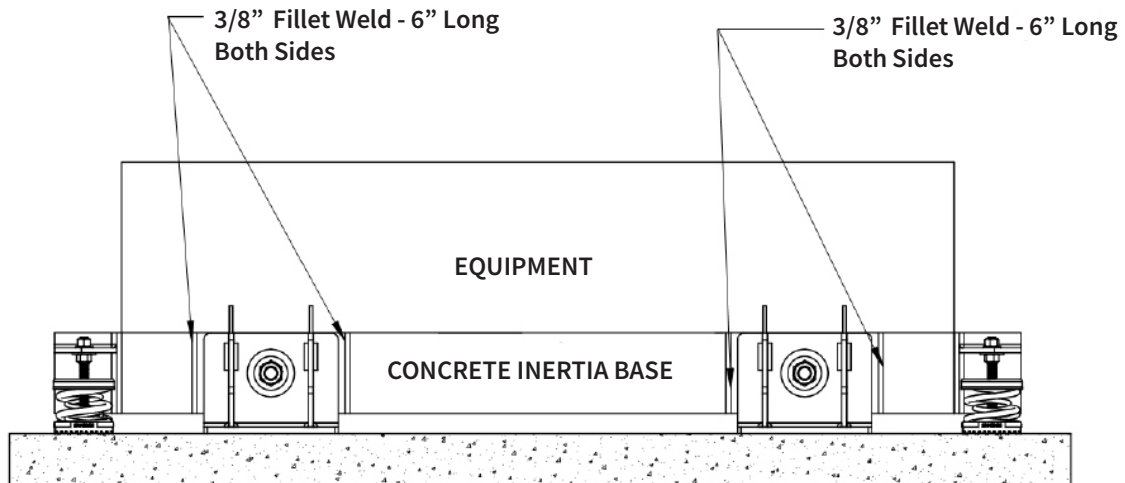
Concrete Inertia Base Installation Instructions – ICIB-NS Installation Instructions – must be followed and the following items must be addressed before adding IBSS-4000 Seismic Snubber to the system:

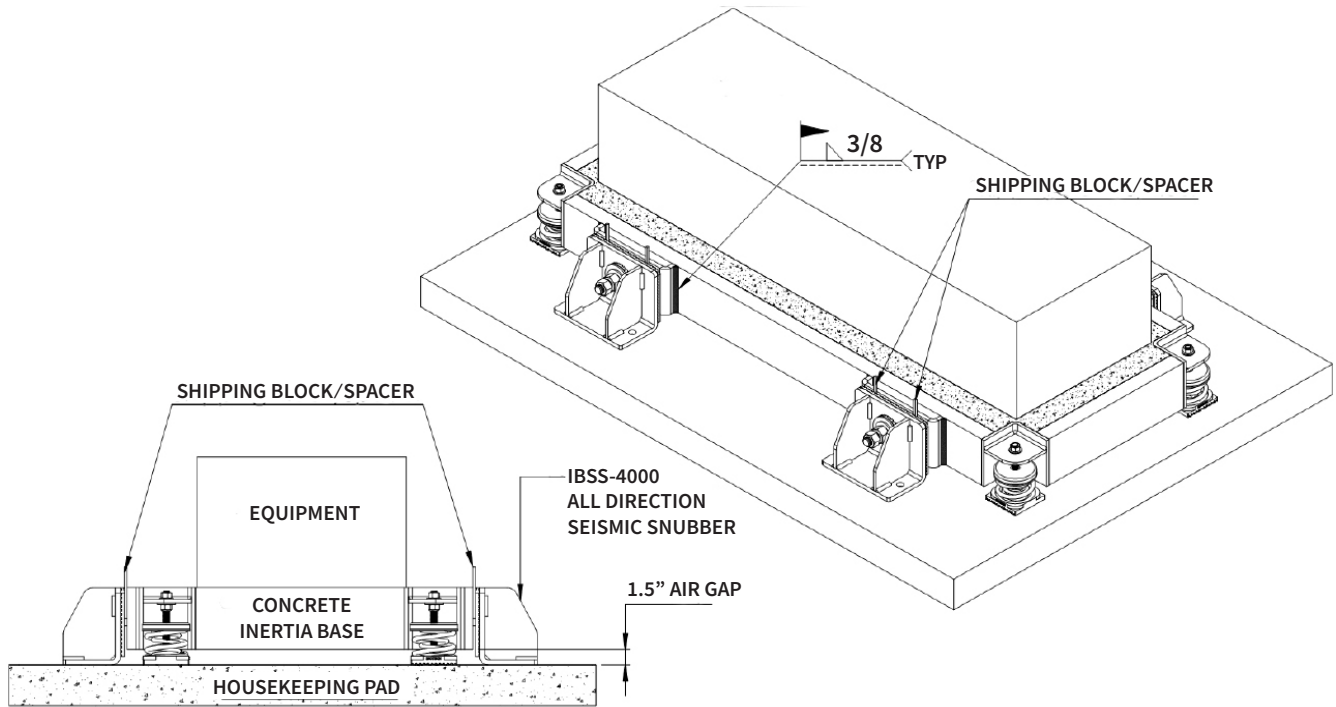
1. IOSB Open Springs have to be installed and adjusted to the desired deflection – follow ICIB-NS for details
2. 2 x 4 Shims should have been removed to leave 1.5” air gap between concrete inertia base and housekeeping pad
3. Concrete Inertia Base must be floating freely on spring isolators

Step 1: Locate each IBSS Seismic Snubber 6” from edge of isolator bracket on the longer side of Concrete Inertia Base as shown below:

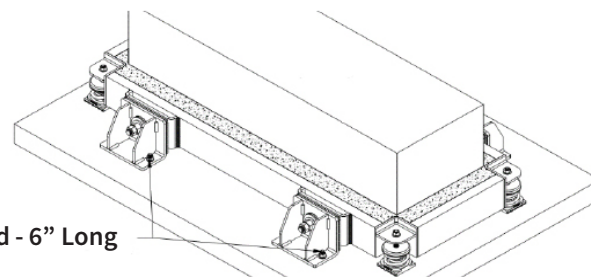
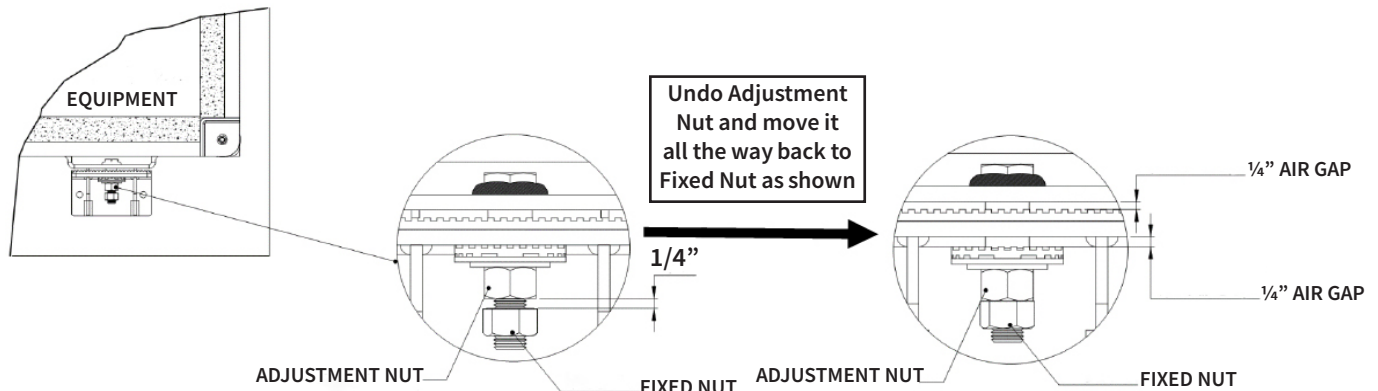


Step 2: Ensure IBSS Seismic Snubber have proper support and sit flat on Housekeeping pad. Weld IBSS brackets to Concrete Inertia Base Steel Frame as shown Below:





Step 3: Undo Adjustment Nut and move it all the way back to Fixed Nut as shown; remove Shipping Blocks/Spacers



**3/8" Fillet Weld - 6" Long
Both Sides**

Step 4: Review Submittal drawing, follow calculations for anchor details and anchor manufacturer instructions for the installation of seismically rated concrete anchors