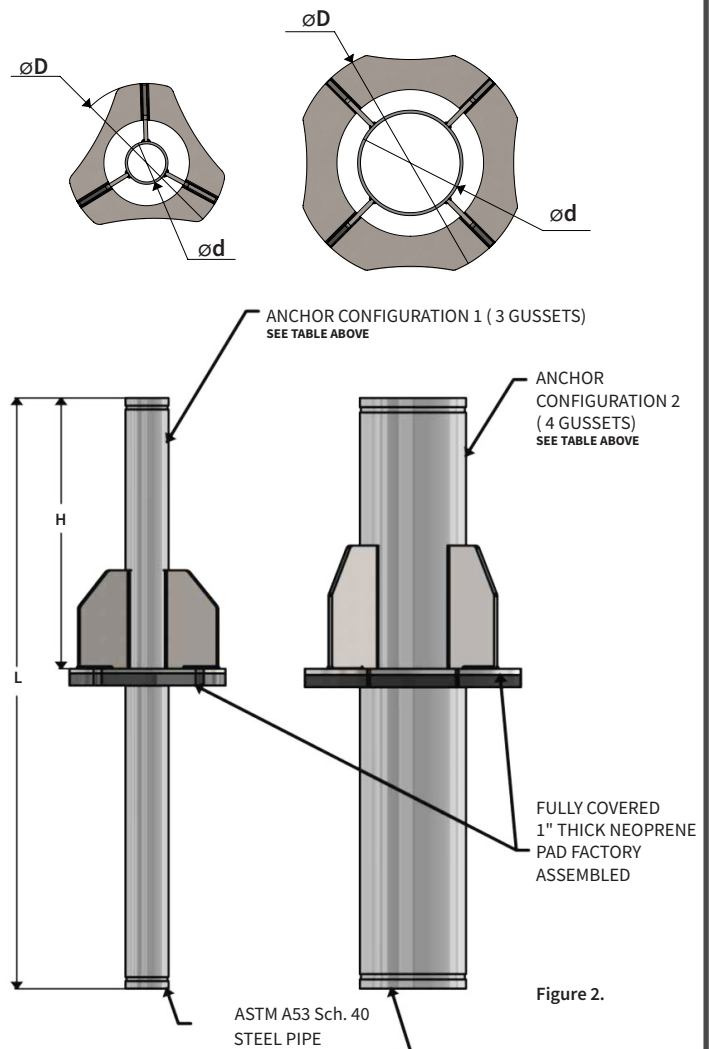
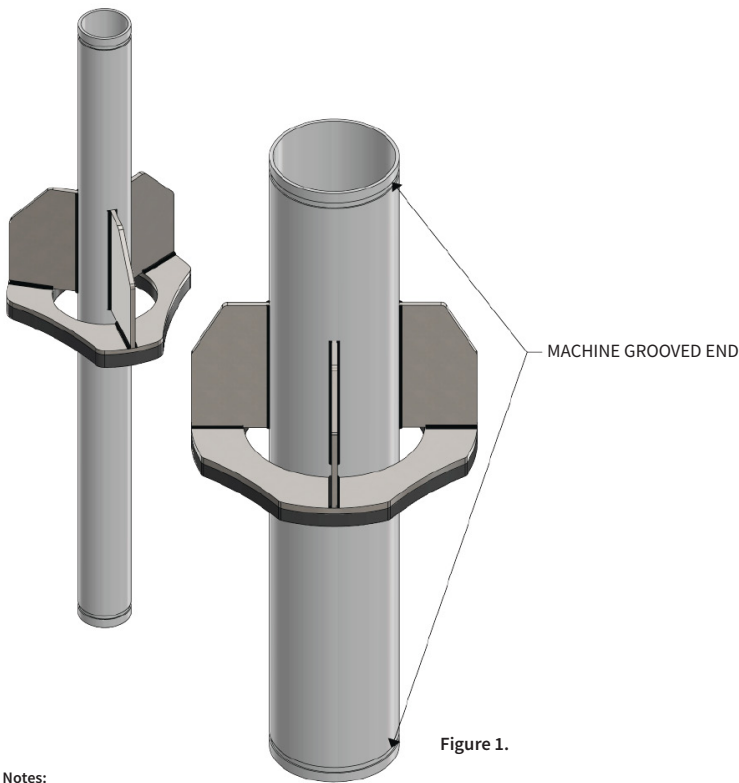


SPECIFICATIONS - ISOTECH EASY ANCHOR

Model	MAXIMUM CAPACITY (LBS)	PIPE SIZE (in)	ød (in)	øD (in)	L (in)	H (in)	ANCHOR CONFIGURATION
IEZA-2.5	8000	2.5	2.875	13	48	22	
IEZA-3	10000	3	3.5	13	48	22	
IEZA-4	12000	4	4.5	13	48	22	
IEZA-6	18000	6	6.625	19	48	22	
IEZA-8	22000	8	8.625	19	48	22	
IEZA-10	28000	10	10.75	19	48	22	



Notes:

- ISOTECH Easy Anchors are designed to offer quick pipe anchor installation without welding on site
- ISOTECH Easy Anchors are designed to be installed with minimum space requirement in mechanical pipe shaft
- ISOTECH Easy Anchors are made of high strength steel to provide maximum capacity for anchoring purposes
- All steel components are welded per CSA-W59 and AWS D1.1 specifications
- Follow either Option 1 or Option 2 shown on the next page to install ISOTECH Easy Anchor on pipe riser system
- ISOTECH Easy Anchors include Neoprene Isolation pad to provide required isolation efficiency for pipe riser system
- Machined Grooved Ends are provided for attachment to standard groove fittings available in the market
- Contractor to select groove fitting to match maximum rated pressure in pipe
- Refer to table above for maximum anchor capacity for each size
- Contact factory for Weld-End or Flanged Connection options
- Contact factory for Stainless steel material option

PROJECT INFORMATION		Canada location	USA Location	
Customer:		35 Silton Road Woodbridge ON L4L 7Z8 CANADA T: 905-856-5001	7700 Irvine Centre Drive Suite 800 Irvine, CA, 92618 U.S.A T: 949-788-2930	
Project:				
Drawing No:				
Anchor Load:				
Anchor Tag:		www.isotechindustries.com		

ISOTECH EASY ANCHOR

File No. ISOCS-IEZA-2.5-10

DATE: 08/21/20

ISOCS-IEZA-2.5-10 Options 1 & 2 Installation Instructions document, to be reviewed for installation

PRE-ASSEMBLED CONCRETE ANCHOR OPTION 1

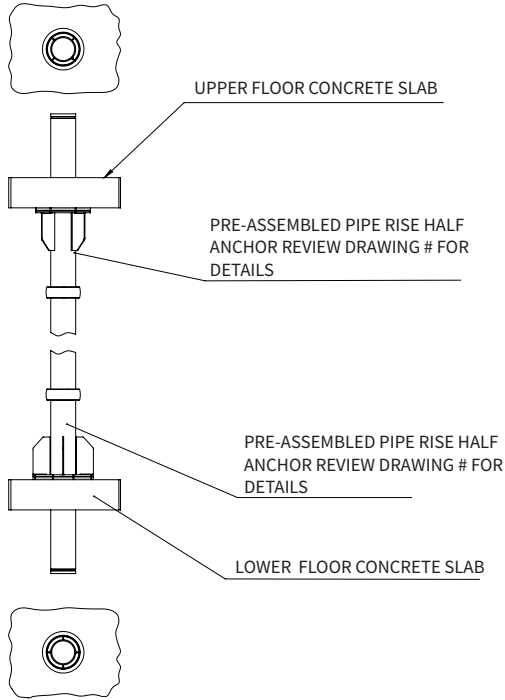


Figure 1.

PRE-ASSEMBLED CONCRETE ANCHOR OPTION 2

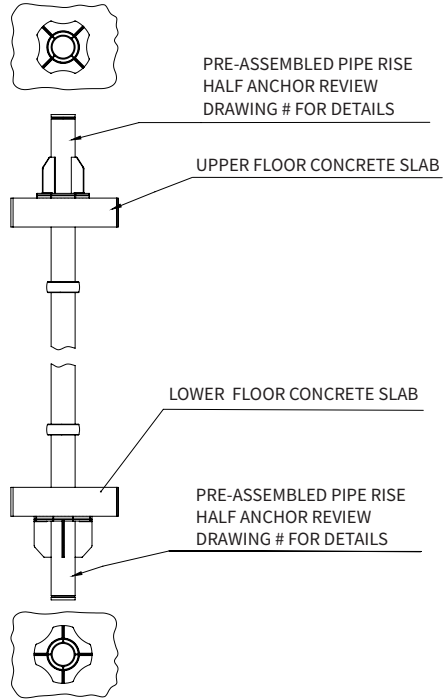


Figure 1.

PRE-ASSEMBLED CONCRETE ANCHOR OPTION 1

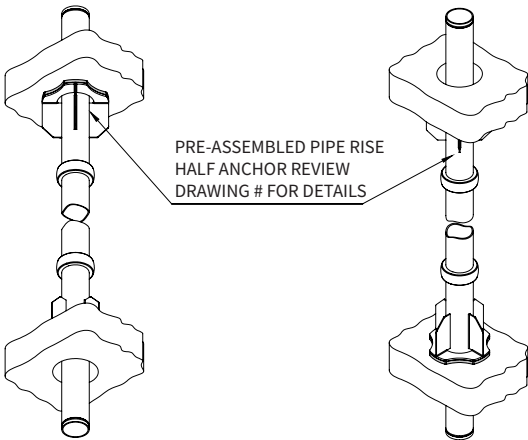


Figure 2.

PRE-ASSEMBLED CONCRETE ANCHOR OPTION 2

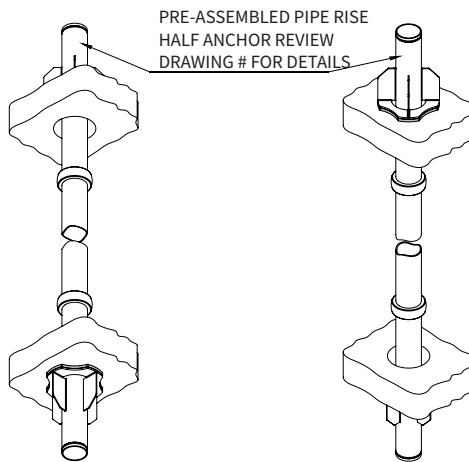


Figure 2.

PROJECT INFORMATION		Canada location	USA Location	
Customer:		35 Siltan Road	7700 Irvine Centre Drive	
Project:		Woodbridge ON	Suite 800	
Drawing No:		L4L 7Z8 CANADA	Irvine, CA, 92618 U.S.A	
Anchor Load:		T: 905-856-5001	T: 949-788-2930	
Anchor Tag:		www.isotechindustries.com		