

RISER BRANCH SPRING HANGER

File No.: ISCOS-IRBH-2-200-3000

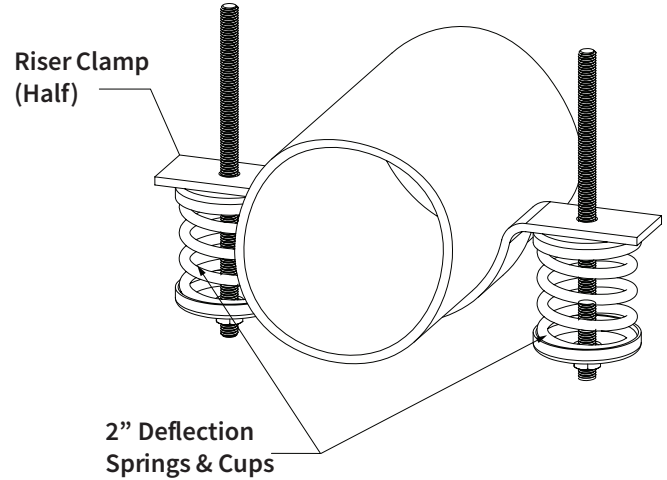
Date:12/15/17

ISOIN-IRBH-2-200-3000, Installation Instructions document, to be reviewed for installation

2" DEFLECTION RISER BRANCH SPRING HANGER

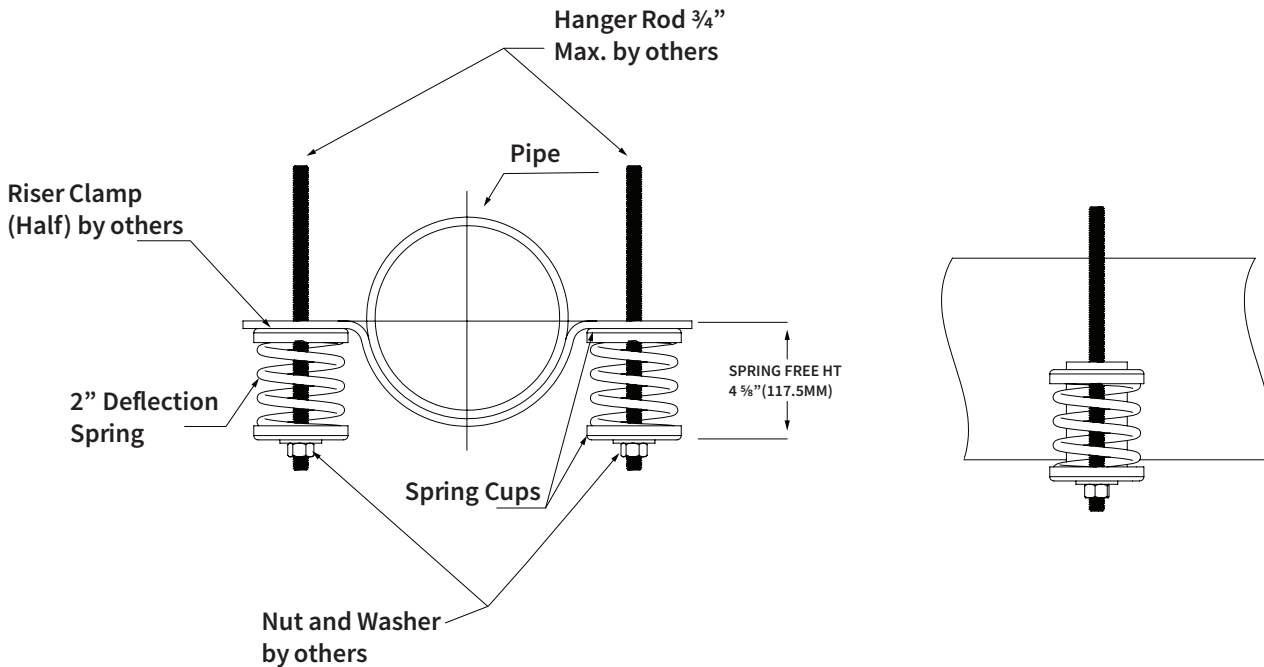
Model	Rated Load		Rated Deflection		Spring Color 2 Springs	Approx. WT.	
	Lb.	KN	in	mm		Lb.	Kg
IRBH-2-200	200	0.89	2.0	50.8	GREY	5.00	2.27
IRBH-2-400	400	1.78	2.0	50.8	ORANGE	5.20	2.36
IRBH-2-600	600	2.669	2.0	50.8	YELLOW	5.56	2.53
IRBH-2-800	800	3.559	2.0	50.8	GREEN	5.80	2.64
IRBH-2-1000	1000	4.449	2.0	50.8	WHITE	5.90	2.68
IRBH-2-1200	1200	5.338	2.0	50.8	BLACK	5.92	2.69
IRBH-2-1600	1600	7.118	2.0	50.8	RED	6.20	2.82
IRBH-2-2000	2000	8.897	2.0	50.8	BLUE	7.30	3.32
IRBH-2-3000	3000	13.345	2.0	50.8	BROWN	7.35	3.34


Hardware not included - Spring Cup: Zinc Supplied



Notes:

- Spring(s) are powder - coated to provide maximum corrosion resistance , and are color - coded for easy identification at site - see table for more information
- All springs have additional travel to solid equal to 50% of the Rated Deflection with minimum Kx/Ky ratio of 0.9 - All Elements are safe at solid load



PROJECT INFORMATION		EQUIPMENT INFORMATION		Canada location	USA Location	
Customer:		Type:		35 Silton Road Woodbridge ON L4L 7Z8 CANADA T: 905-856-5001	7700 Irvine Centre Drive Suite 800 Irvine, CA, 92618 U.S.A T: 949-788-2930	
Project:		Qty Required:				
Drawing No:		Operating Weight:				
Notes:				www.isotechindustries.com		