

SPECIFICATIONS - 1" DEFLECTION SPRING HANGER INLINE

Model	RATED LOAD		RATED DEFLECTION		SPRING COLOR	APPROX. WT.	
	Lbs.	KN	in	mm		Lbs.	Kg
IHS-15	15	0.067	1.0	25.4	GREY	0.70	0.32
IHS-30	30	0.134	1.0	25.4	BLACK	0.71	0.33
IHS-50	50	0.223	1.0	25.4	RED	0.73	0.34
IHS-75	75	0.334	1.0	25.4	WHITE	0.73	0.34
IHS-100	100	0.445	1.0	25.4	YELLOW	0.75	0.35
IHS-125	125	0.557	1.0	25.4	BLUE	0.78	0.36
IHS-150	150	0.668	1.0	25.4	ORANGE	0.80	0.37
IHS-200	200	0.89	1.0	25.4	BROWN	0.81	0.37

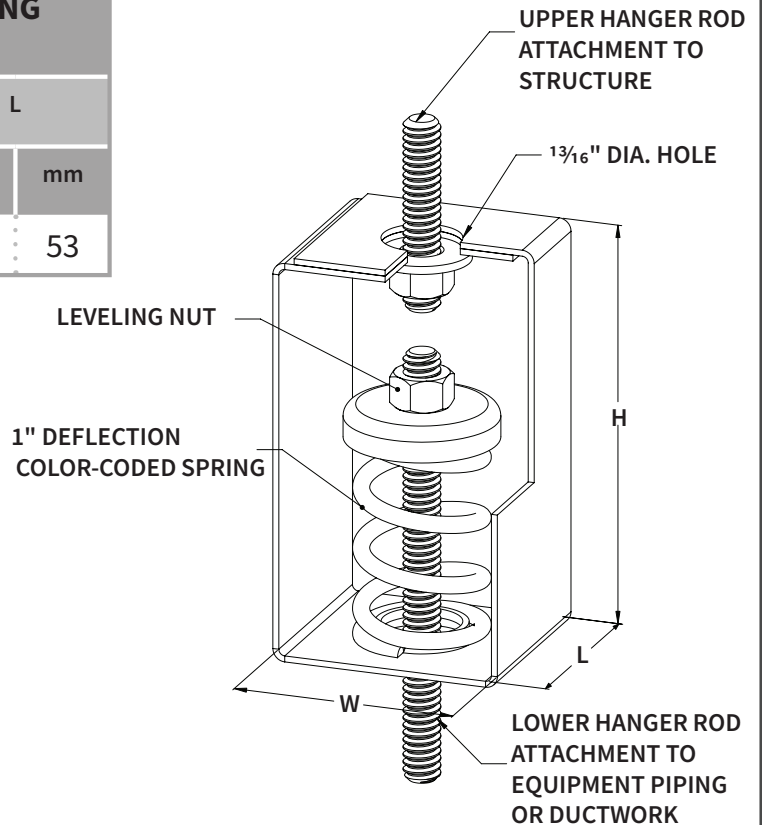
HARDWARE NOT INCLUDED - SPRING CUP : ZINC PLATED


Dimension 1" DEFLECTION SPRING HANGER INLINE

Model	H		W		L	
	in	mm	in	mm	in	mm
IHS-15-200	4 1/2	115	2 3/8	61	2 1/16	53

Notes:

- Housing is designed to allow 15° misalignment for hanger rod
- Spring and Housing are powder – coated for maximum corrosion protection, and are designed to have minimum 50% over travel under rated load



PROJECT INFORMATION		EQUIPMENT INFORMATION		Canada location	USA Location	
Customer:		Type:		35 Silton Road Woodbridge ON L4L 7Z8 CANADA T: 905-856-5001	7700 Irvine Centre Drive Suite 800 Irvine, CA, 92618 U.S.A T: 949-788-2930	
Project:		Qty Required:				
Drawing No:		Operating Weight:				
Notes:				www.isotechindustries.com		