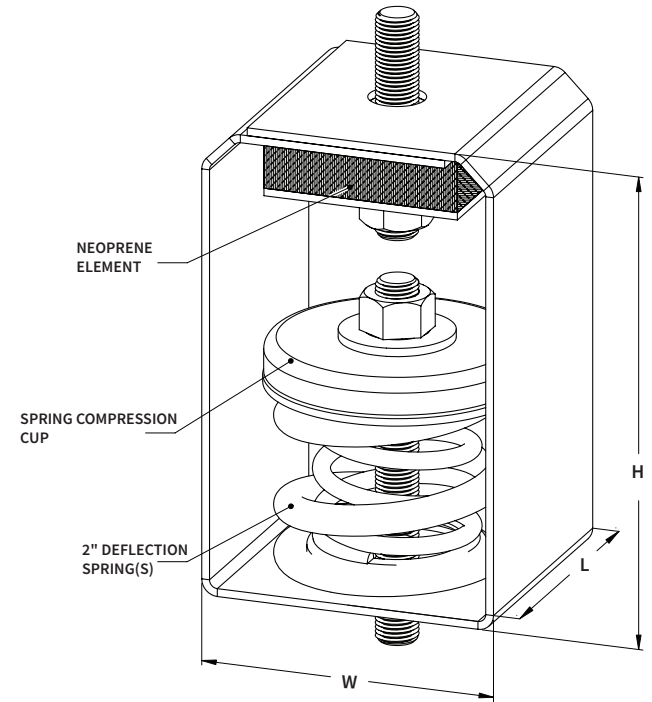


## SPECIFICATIONS - 2" DEFLECTION SPRING HANGER WITH SPRING IN LINE WITH NEOPRENE ELEMENT

Model	Rated Load		Rated Deflection		Spring Color		Approx. WT.	
	lbs.	KN	in	mm	outer	inner	lbs.	Kg
IHCE-2-500	500	2.225	2.0	50.8	BROWN	---	8.20	3.72
IHCE-2-800	800	3.559	2.0	50.8	BLUE	---	8.25	3.75
IHCE-2-1000	1000	4.449	2.0	50.8	GREEN	---	8.30	3.77
IHCE-2-1200	1200	5.338	2.0	50.8	BLUE	GREEN	8.50	3.86
IHCE-2-1500	1500	6.673	2.0	50.8	GREY	---	8.35	3.79
IHCE-2-1800	1800	8.007	2.0	50.8	GREY	YELLOW	8.60	3.91
IHCE-2-2000	2000	8.897	2.0	50.8	GREY	WHITE	8.90	3.01
IHCE-2-2300	2300	10.231	2.0	50.8	GREY	RED	9.00	4.09
IHCE-2-2500	2500	11.121	2.0	50.8	ORANGE	---	9.20	3.07

HARDWARE NOT INCLUDED - HOUSING MATERIAL: GALVANIZED STEEL - SPRING CUP: ZINC PLATED



### Model

IHCE-2-500-2500

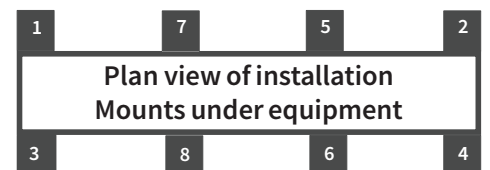
H		W		L	
in	mm	in	mm	in	mm
8 1/2	216	5 3/8	137	4 3/4	121


### Notes:

- Housing is designed to allow 30° misalignment for hanger rod
- Neoprene Element is designed to provide up to 0.4" deflection at rated load
- Spring(s) are powder-coated to provide maximum corrosion resistance, and are color-coded for easy identification at site - see table above
- All springs have additional travel to solid equal to 50% of the Rated Deflection with minimum Kx/Ky ratio of 1.0 - All Elements are safe at solid load
- Spring is supported by two layers of 3/8" THK double-ribbed 50 Duro neoprene pad, separated by one layer of galvanized sheet metal to provide maximum effect on high frequency noise

### ISOLATOR LOCATIONS

1:	5:
2:	6:
3:	7:
4:	8:



PROJECT INFORMATION		EQUIPMENT INFORMATION		Canada location	USA Location	
Customer:		Type:		35 Silton Road Woodbridge ON L4L 7Z8 CANADA T: 905-856-5001	7700 Irvine Centre Drive Suite 800 Irvine, CA, 92618 U.S.A T: 949-788-2930	
Project:		Qty Required:				
Drawing No:		Operating Weight:				
Notes:				www.isotechindustries.com		