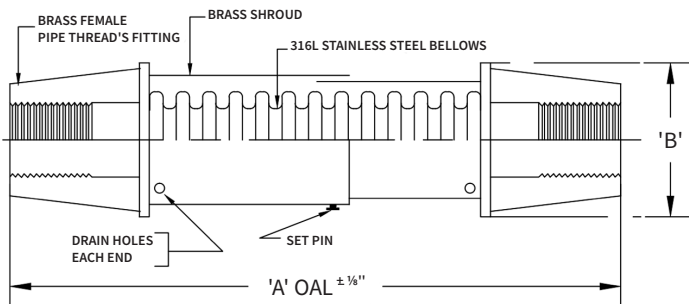


ISOTECH EXPANSION JOINT COPPER PIPE WITH FEMALE THREAD END 300 PSIG

QTY	ID # OR TAG #	DIA (IN)	PART # OR SKU	'A' OAL	'B' WIDTH (SQ.)	RATED STROKE		WEIGHT (LBS)
						COMP. (IN)	EXT. (IN)	
		1"	IEJ-CP300-FTH2-1	6 1/2"	2"	1 1/2"	1/2"	2 1/4
		1 1/4"	IEJ-CP300-FTH2-1.25	6 1/2"	2"	1 1/2"	1/2"	2 1/2
		1 1/2"	IEJ-CP300-FTH2-1.5	6 1/2"	2 1/2"	1 1/2"	1/2"	4
		2"	IEJ-CP300-FTH2-2	6 1/2"	3"	1 1/2"	1/2"	5 3/4
		2 1/2"	IEJ-CP300-FTH2.5	7"	3 1/2"	1 1/2"	1/2"	7 3/4
		3"	IEJ-CP300-FTH2-3	7 3/4"	4 1/2"	1 1/2"	1/2"	11
		4"	IEJ-CP300-FTH2-4	8"	5 1/2"	1 1/2"	1/2"	12

IMPORTANT NOTE: EXPANSION COMPENSATOR'S ARE DESIGNED FOR A TOTAL OF 2" MOVEMENT; ACCOMMODATING 1-1/2" PIPE THERMAL EXPANSION AND 1/2" PIPE THERMAL CONTRACTION

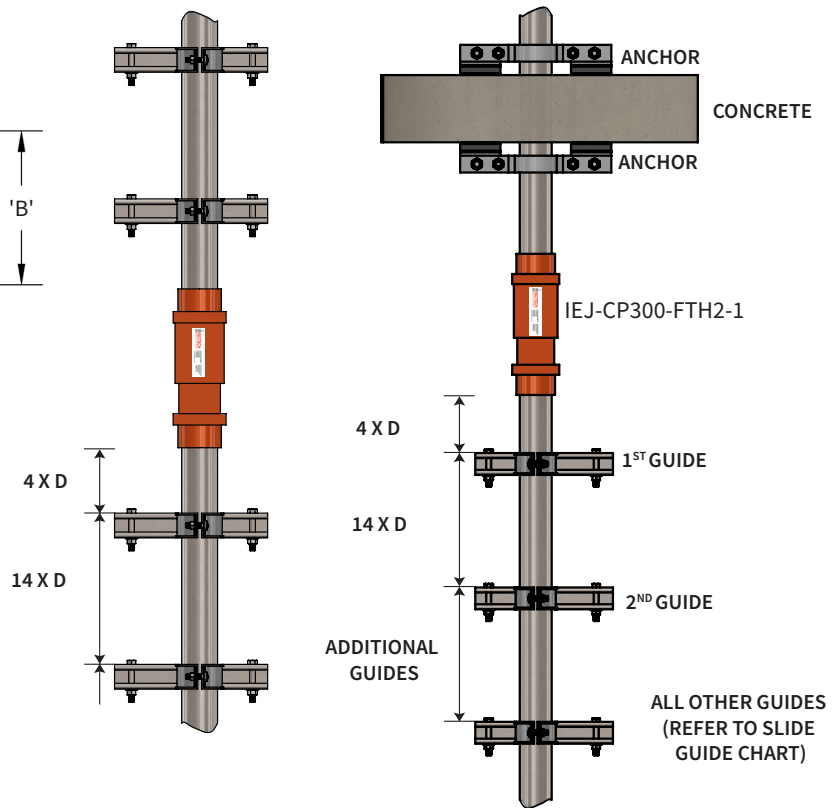



NOTE: END FITTINGS MAY BE 2 PIECE DESIGN USING COPPER

DESIGN PRESSURE @ 70°F = 300 PSIG

MATERIALS OF CONSTRUCTION

SHROUD :	BRASS
BELLOWS :	316L STAINLESS STEEL
END FITTINGS :	BRASS



PROJECT INFORMATION		Canada location	USA Location	
Customer:		35 Siltan Road Woodbridge ON L4L 7Z8 CANADA T: 905-856-5001	7700 Irvine Centre Drive Suite 800 Irvine, CA, 92618 U.S.A T: 949-788-2930	
Project:				
Drawing No:				
Notes:		www.isotechindustries.com		