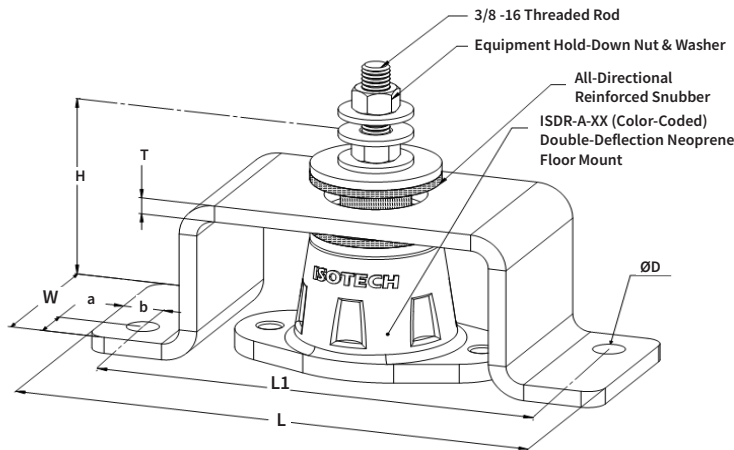
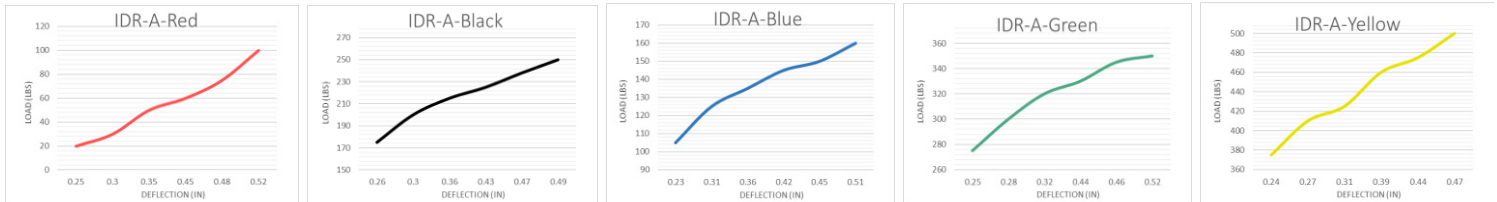


SPECIFICATIONS - RUBBER IN-SHEAR DOUBLE DEFLECTION FLOOR MOUNT

Model	Rated Load		Rated Deflection		Approx. WT.	
	lbs.	KN	in	mm	lbs.	Kg
IDDR-A-RED	15 to 100	0.067 to 0.455	0.5	12.7	2.65	1.21
IDDR-A-BLUE	105 to 160	0.448 to 0.712	0.5	12.7	2.65	1.21
IDDR-A-BLACK	175 to 250	0.779 to 1.113	0.5	12.7	2.65	1.21
IDDR-A-GREEN	275 to 350	1.224 to 1.557	0.5	12.7	2.65	1.21
IDDR-A-YELLOW	375 to 500	1.699 to 2.225	0.5	12.7	2.65	1.21

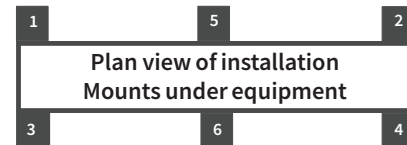
Model					
IDDR-A					
L		W		H	
in	mm	in	mm	in	mm
7 1/4	185	2 1/2	64	3 3/4	96
T		a		b	
in	mm	in	mm	in	mm
1/4	7	5/8	16	9/16	15
ØD		L1			
in	mm	in	mm		
7/16	11	6 1/4	159		

Load-Deflection Graphs for IDDR-A-XX Double Deflection Floor Mount




ISOLATOR LOCATIONS

1:	4:
2:	5:
3:	6:



Notes:

- Housing and Threaded rod are made of high strength steel. ISDR housing is designed and manufactured to provide minimum resistance of 1.2g for lateral seismic load. Housing is powder-coated for corrosion resistance
- All directional snubber is made of reinforced neoprene and is designed to prevent metal to metal contact. IDDR-A-XX must be installed so that snubbing elements have 1/8" to 1/4" clearance with housing under operating condition
- IDDR-A-XX Double Deflection Neoprene Mount's Bottom and Top surfaces are ribbed to enhance isolation efficiency
- IDDR-A isolators include steel inserts embedded in neoprene for the full top and base areas

PROJECT INFORMATION		EQUIPMENT INFORMATION		Canada location	USA Location	
Customer:		Type:		35 Siltan Road Woodbridge ON L4L 7Z8 CANADA T: 905-856-5001	7700 Irvine Centre Drive Suite 800 Irvine, CA, 92618 U.S.A T: 949-788-2930	
Project:		Qty Required:		www.isotechindustries.com		
Drawing No:		Operating Weight:				
Notes:						