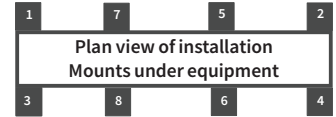


SPECIFICATIONS - 2" DEFLECTION SEISMICALLY RATED RESTRAINED SPRING FOR ATTACHMENT TO STEEL STRUCTURE

Model	Rated Load		Rated Deflection		Spring Color		Approx. WT.	
	lb.	KN	in	mm	outer	inner	lb.	Kg
ICSS-2-100	100	0.445	2.0	50.8	RED	---	25.50	11.57
ICSS-2-200	200	0.89	2.0	50.8	WHITE	---	25.60	11.62
ICSS-2-300	300	1.335	2.0	50.8	WHITE	GREY	25.80	11.71
ICSS-2-400	400	1.78	2.0	50.8	WHITE	ORANGE	25.90	11.75
ICSS-2-500	500	2.225	2.0	50.8	BROWN	---	26.00	11.8
ICSS-2-600	600	2.669	2.0	50.8	BROWN	GREY	26.10	11.84
ICSS-2-800	800	3.559	2.0	50.8	BLUE	---	26.30	11.93
ICSS-2-1000	1000	4.449	2.0	50.8	BLUE	GREY	26.40	11.98
ICSS-2-1200	1200	5.338	2.0	50.8	GREEN	ORANGE	27.00	12.25
ICSS-2-1500	1500	6.673	2.0	50.8	GREY	---	26.80	12.16
ICSS-2-1800	1800	8.007	2.0	50.8	GREY	YELLOW	27.30	12.39
ICSS-2-2000	2000	8.897	2.0	50.8	GREY	WHITE	26.90	12.21
ICSS-2-2300	2300	9.787	2.0	50.8	GREY	RED	27.50	12.48
ICSS-2-2500	2500	11.121	2.0	50.8	ORANGE	---	27.10	12.3
ICSS-2-2800	2800	12.455	2.0	50.8	ORANGE	YELLOW	27.90	12.66
ICSS-2-3000	3000	13.345	2.0	50.8	BLACK	---	27.50	12.48
ICSS-2-3500	3500	15.569	2.0	50.8	BLACK	WHITE	28.30	12.84
ICSS-2-3800	3800	16.904	2.0	50.8	BLACK	RED	28.70	13.02
ICSS-2-4000	4000	17.793	2.0	50.8	BLACK	BLUE	28.90	13.11
ICSS-2-4500	4500	20.017	2.0	50.8	BLACK	BROWN	38.20	17.33

MODEL - ICSS - 2 - 100 - 4500

L1		W1		H	
in	mm	in	mm	in	mm
11	279	5 5/8	143	5 7/8	150
T		W2		ø D	
in	mm	in	mm	in	mm
1/2	13	3 1/2	80	1 1/16	18
ø d		M		N	
in	mm	in	mm	in	mm
9/16	15	3 3/8	93	1	26
a		b		Spring Adjustment Bolt	
in	mm	in	mm		
1 1/4	32	1 1/4	32	5/8"	

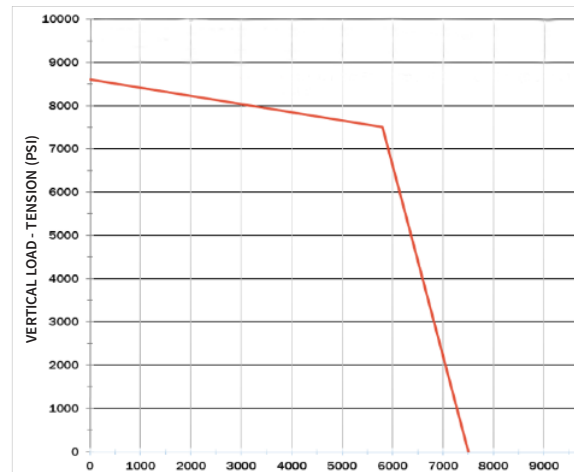


ISOLATOR'S LOCATIONS

1:	5:
2:	6:
3:	7:
4:	8:

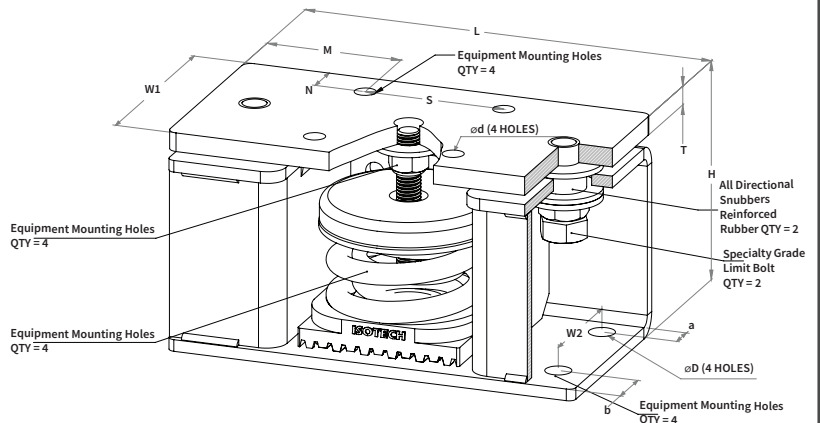
Attached to Steel Structure with (4) 5/8" Bolts (Grade 5) and Nuts


ICSS- 100-4500 Load Capacity Envelope



Notes:

- ICSS-2-100-4500 isolators are all Pre-Compressed to allow the lowest overall installation height and to offer significant labor saving during installation
- All springs have additional travel to solid equal to 50% of the Rated Deflection with minimum Kx/Ky ratio of 1.0 - All Elements are safe at solid load
- Spring(s) are powder - coated to provide maximum corrosion resistance , and are color-coded for easy identification at site - see table above
- Hot-Dip Galvanized finish for Housing to offer maximum corrosion resistance for isolator - Hardware and Spring Compression Cup are zinc -electroplated
- ICSS-2-100-4500 isolators are designed to allow replacement of reinforced rubber snubber without disturbing equipment. Reinforced rubber snubbers are installed to prevent metal to metal contact
- 1/2" THK plate, with the same dimensions of isolator top plate, must be installed on top of isolator, when less than 80% of isolator's top plate is covered



PROJECT INFORMATION		EQUIPMENT INFORMATION		Canada location		USA Location		
Customer:		Type:		35 Silton Road	7700 Irvine Centre Drive	Suite 800		
Project:		Qty Required:		L4L 7Z8 CANADA	Irvine, CA, 92618 U.S.A			
Drawing No:		Operating Weight:		T: 905-856-5001	T: 949-788-2930			
Notes:				www.isotechindustries.com				