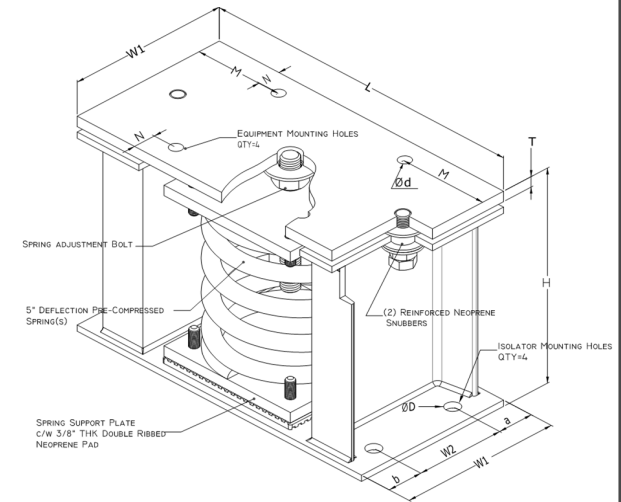


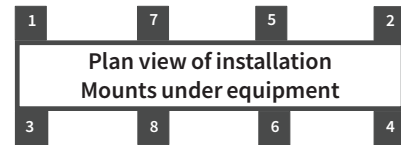
## SPECIFICATIONS - 5" DEFLECTION RESTRAINED SPRING

Model	Rated Load		Rated Deflection		Spring Color		Approx. WT.	
	lb.	KN	in	mm	outer	inner	lb.	Kg
ICSN-5-200	200	0.89	5.0	127.0	ORANGE	---	100.00	45.36
ICSN-5-500	500	2.225	5.0	127.0	BLUE	---	110.00	49.9
ICSN-5-1000	1000	4.449	5.0	127.0	RED	---	119.00	53.98
ICSN-5-1500	1500	6.673	5.0	127.0	RED	YELLOW	124.00	56.25
ICSN-5-2000	2000	8.897	5.0	127.0	GREEN	---	125.00	56.7
ICSN-5-2500	2500	11.121	5.0	127.0	GREEN	YELLOW	130.00	58.97
ICSN-5-3000	3000	13.345	5.0	127.0	GREY	---	130.00	58.97
ICSN-5-3500	3500	15.569	5.0	127.0	BLACK	---	133.00	60.33
ICSN-5-4000	4000	17.793	5.0	127.0	BLACK	YELLOW	138.00	62.6
ICSN-5-4500	4500	20.017	5.0	127.0	WHITE	---	148.00	67.14



## MODEL - ICSN-5-200-4500

L		W1		H		T		W2		øD	
in	mm	in	mm	in	mm	in	mm	in	mm	in	mm
9 7/8	251	10 1/4	261	5 15/16	148	3/4	20	8 1/16	205	5/8	16
ød		M		N		a		b		Spring Adjustment Bolt	
in	mm	in	mm	in	mm	in	mm	in	mm		
9/16	15	3.0	77	1.0	26	1.1	28	1.1	28	5/8"	




### Notes:

- ICSN-5-200-4500 Isolators are all Pre-Compressed to allow the lowest overall installation height and to offer significant labor saving during installation
- All springs have additional travel to solid equal to 50% of the Rated Deflection with minimum Kx/Ky ratio of 1.0 - All Elements are safe at solid load
- Spring(s) are powder - coated to provide maximum corrosion resistance , and are color-coded for easy identification at site - see table above
- Hot-Dip Galvanized finish for Housing to offer maximum corrosion resistance for isolator -Hardware and Spring Compression Cup are zinc -electroplated
- ICSN-5-200-4500 isolators are designed to allow replacement of Neoprene grommet without disturbing equipment. Neoprene grommet are installed to prevent metal to metal contact

### ISOLATOR'S LOCATIONS

1:	5:
2:	6:
3:	7:
4:	8:

PROJECT INFORMATION		EQUIPMENT INFORMATION		Canada location		USA Location		
Customer:		Type:		35 Silton Road Woodbridge ON L4L 7Z8 CANADA T: 905-856-5001	7700 Irvine Centre Drive Suite 800 Irvine, CA, 92618 U.S.A T: 949-788-2930			
Project:		Qty Required:						
Drawing No:		Operating Weight:						
Notes:				www.isotechindustries.com				