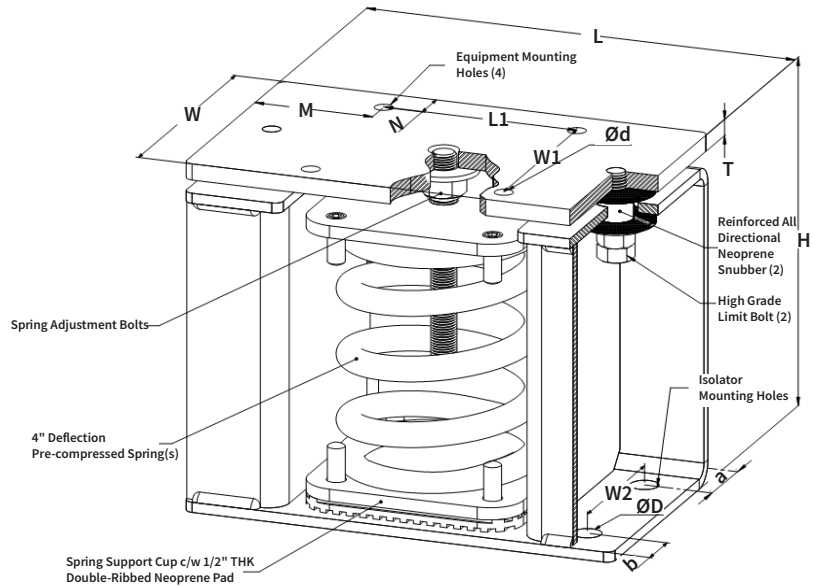


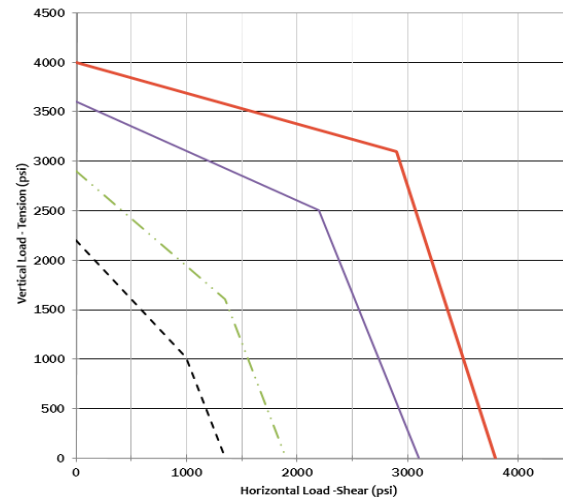
SPECIFICATIONS - 4" DEFLECTION RESTRAINED SPRING ISOLATOR

Model	Rated Load		Rated Deflection		Spring Color		Approx. WT.	
	lbs	Kn	in	mm	outer	inner	lbs	Kg
ICSN-4-100	100	0.445	4.0	102.0	YELLOW	---	93.50	42.42
ICSN-4-200	200	0.89	4.0	102.0	GREEN	---	94.00	42.64
ICSN-4-300	300	1.335	4.0	102.0	GREEN	BLUE	96.00	43.55
ICSN-4-400	400	1.78	4.0	102.0	GREEN	WHITE	96.50	43.78
ICSN-4-500	500	2.225	4.0	102.0	WHITE	---	97.00	44
ICSN-4-600	600	2.669	4.0	102.0	WHITE	BLUE	98.00	44.46
ICSN-4-800	800	3.559	4.0	102.0	WHITE	WHITE	99.00	44.91
ICSN-4-1000	1000	4.449	4.0	102.0	ORANGE	---	100.00	45.36
ICSN-4-1200	1200	5.338	4.0	102.0	ORANGE	WHITE	102.00	46.27
ICSN-4-1500	1500	6.673	4.0	102.0	ORANGE	YELLOW	103.00	46.72
ICSN-4-1800	1800	8.007	4.0	102.0	ORANGE	GREY	103.50	46.95
ICSN-4-2000	2000	8.897	4.0	102.0	RED	---	104.00	47.18
ICSN-4-2300	2300	9.787	4.0	102.0	RED	WHITE	106.00	48.09
ICSN-4-2500	2500	11.121	4.0	102.0	RED	YELLOW	107.00	48.54
ICSN-4-2800	2800	12.455	4.0	102.0	BLUE	---	108.00	48.99
ICSN-4-3000	3000	13.345	4.0	102.0	BLUE	WHITE	111.00	50.35
ICSN-4-3500	3500	15.569	4.0	102.0	BLUE	GREY	112.00	50.81
ICSN-4-3800	3800	16.904	4.0	102.0	BROWN	---	112.00	50.81
ICSN-4-4000	4000	17.793	4.0	102.0	BROWN	WHITE	114.00	51.71
ICSN-4-4500	4500	20.017	4.0	102.0	BROWN	GREY	116.00	52.62



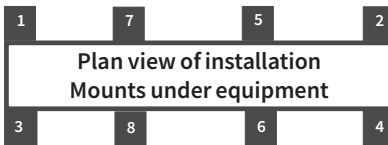
ICSN-4-100-4500 LOAD CAPACITY ENVELOPE

- Attached to Steel Structure with (4) 5/8" Bolts (Grade 5) and Nuts
- - Attached to Concrete Structure with (2) 1/2" HiLi KB TZ (2" Embedment) -4" Slab
- · - Attached to Concrete Structure with (2) 5/8" HiLi KB TZ 4" Embedment -6" Slab
- Attached to steel structure with (4) 1/2" Bolts (Grade 5) and Nuts



Model					
ICSN-4-100-5000					
L		W		W1	
in	mm	in	mm	in	mm
12 3/4	324	7 5/8	193	5 3/4	146
H		T		W2	
in	mm	in	mm	in	mm
10 3/4	273	1/2	13	4	102
L1		Ø D		Ø d	
in	mm	in	mm	in	mm
5 3/4	146	1 3/16	21	5/16	15
M		N		a	
in	mm	in	mm	in	mm
3 1/2	89	1 1/8	29	1 1/16	43
b		SPRING ADJUSTMENT BOLT			
in	mm	3/4"			
1 3/8	36				

ISOLATOR'S LOCATIONS			
1:		5:	
2:		6:	
3:		7:	
4:		8:	



* Load Capacity Envelope: Concrete loads are based on 4000 psi reinforced concrete with minimum 6" edge distance and can be considered for nonseismic applications only.

Notes:

- ICSN-4-100-4500 Isolators are all Pre-Compressed to allow the lowest overall installation height and to offer significant labor saving during installation
- All springs have additional travel to solid equal to 50% of the Rated Deflection with minimum Kx/Ky ratio of 1.0 - All Elements are safe at solid load
- Spring(s) are powder - coated to provide maximum corrosion resistance , and are color-coded for easy identification at site - see table above
- Hot-Dip Galvanized finish for Housing to offer maximum corrosion resistance for isolator - Hardware and Spring Compression Cup are zinc -electroplated
- CSN-4-100-4500 isolators are designed to allow replacement of Neoprene grommet without disturbing equipment. Neoprene grommet are installed to prevent metal to metal contact

PROJECT INFORMATION		EQUIPMENT INFORMATION		Canada location 35 Silton Road Woodbridge ON L4L 7Z8 CANADA T: 905-856-5001 www.isotechindustries.com	USA Location 7700 Irvine Centre Drive Suite 800 Irvine, CA, 92618 U.S.A T: 949-788-2930	VISCMA MEMBER
Customer:		Type:				
Project:		Qty Required:				
Drawing No:		Operating Weight:				
Notes:						