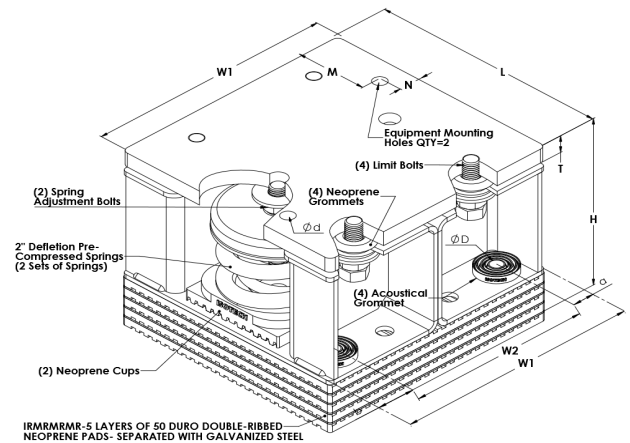


## SPECIFICATIONS - 2" DEFLECTION RESTRAINED SPRING

Model	Rated Load		Rated Deflection		Spring Color		Approx. WT.	
	lb.	KN	in	mm	outer	inner	lb.	Kg
ICSN-2R5-5000	5000	22.241	2.0	50.8	ORANGE	---	53.20	24.14
ICSN-2R5-5600	5600	24.91	2.0	50.8	ORANGE	YELLOW	54.80	24.86
ICSN-2R5-6000	6000	26.69	2.0	50.8	BLACK	---	54.00	24.5
ICSN-2R5-6600	6600	29.359	2.0	50.8	BLACK	YELLOW	55.60	25.22
ICSN-2R5-7000	7000	31.138	2.0	50.8	BLACK	WHITE	55.60	25.22
ICSN-2R5-7600	7600	33.807	2.0	50.8	BLACK	RED	56.40	25.59
ICSN-2R5-8000	8000	35.586	2.0	50.8	BLACK	BLUE	56.80	25.77
ICSN-2R5-9000	9000	40.034	2.0	50.8	BLACK	BROWN	75.40	34.21

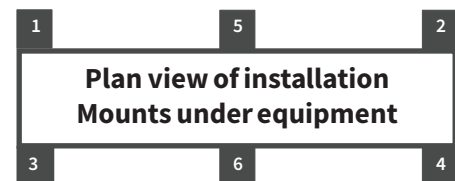


## MODEL - ICSN-2R5-5000-9000

L		W1		H		T		W2		øD	
in	mm	in	mm	in	mm	in	mm	in	mm	in	mm
9 7/8	251	10 1/4	261	7 13/16	199	3/4	20	8 1/16	205	1/2	13
ød		M		N		a		b		Spring Adjustment Bolt	
in	mm	in	mm	in	mm	in	mm	in	mm		
9/16	15	3.0	77	1.0	26	1.1	28	1.1	28	5/8"	


### Notes:

- ICSN-2R5-5000-9000 Isolators are all Pre-Compressed to allow the lowest overall installation height and to offer significant labor saving during installation
- All springs have additional travel to solid equal to 50% of the Rated Deflection with minimum Kx/Ky ratio of 1.0 - All Elements are safe at solid load
- Spring(s) are powder - coated to provide maximum corrosion resistance , and are color-coded for easy identification at site - see table above
- Hot-Dip Galvanized finish for Housing to offer maximum corrosion resistance for isolator - Hardware and Spring Compression Cup are zinc -electroplated
- ICSN-2R5-5000-9000 isolators are designed to allow replacement of Neoprene grommet without disturbing equipment. Neoprene grommet are installed to prevent metal to metal contact



### ISOLATOR'S LOCATIONS

1:	4:
2:	5:
3:	6:

PROJECT INFORMATION		EQUIPMENT INFORMATION		Canada location	USA Location	
Customer:		Type:		35 Siltan Road Woodbridge ON L4L 7Z8 CANADA T: 905-856-5001	7700 Irvine Centre Drive Suite 800 Irvine, CA, 92618 U.S.A T: 949-788-2930	
Project:		Qty Required:		www.isotechindustries.com		
Drawing No:		Operating Weight:				
Notes:						