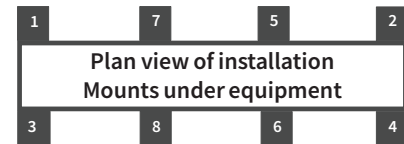
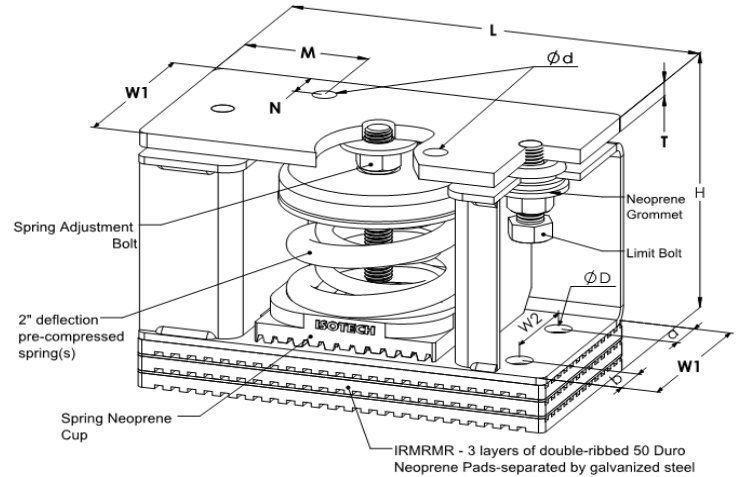


SPECIFICATIONS - 2" DEFLECTION RESTRAINED SPRING ISOLATOR C/W 3 LAYERS OF OVERSIZED DOUBLE-RIBBED 50 DURO NEOPRENE PADS

Model	Rated Load		Rated Deflection		Spring Color		Approx. WT.	
	lb.	KN	in	mm	outer	inner	lb.	Kg
ICSN-2R3-100	100	0.445	2.0	50.8	RED	---	20.50	9.3
ICSN-2R3-200	200	0.89	2.0	50.8	WHITE	---	20.60	9.35
ICSN-2R3-300	300	1.335	2.0	50.8	WHITE	GREY	20.80	9.44
ICSN-2R3-400	400	1.78	2.0	50.8	WHITE	ORANGE	20.90	9.49
ICSN-2R3-500	500	2.225	2.0	50.8	BROWN	---	21.00	9.53
ICSN-2R3-600	600	2.669	2.0	50.8	BROWN	GREY	21.10	9.58
ICSN-2R3-800	800	3.559	2.0	50.8	BLUE	---	21.30	9.67
ICSN-2R3-1000	1000	4.449	2.0	50.8	BLUE	GREY	21.40	9.71
ICSN-2R3-1200	1200	5.338	2.0	50.8	GREEN	ORANGE	22.00	9.98
ICSN-2R3-1500	1500	6.673	2.0	50.8	GREY	---	21.80	9.89
ICSN-2R3-1800	1800	8.007	2.0	50.8	GREY	YELLOW	22.30	10.12
ICSN-2R3-2000	2000	8.897	2.0	50.8	GREY	WHITE	21.90	9.94
ICSN-2R3-2300	2300	10.231	2.0	50.8	GREY	RED	22.50	10.21
ICSN-2R3-2500	2500	11.121	2.0	50.8	ORANGE	---	22.10	10.03
ICSN-2R3-2800	2800	12.455	2.0	50.8	YELLOW	RED	22.90	10.39
ICSN-2R3-3000	3000	13.345	2.0	50.8	BLACK	---	22.50	10.21
ICSN-2R3-3500	3500	15.569	2.0	50.8	BLACK	WHITE	23.30	10.57
ICSN-2R3-3800	3800	16.904	2.0	50.8	BLACK	RED	23.70	10.76
ICSN-2R3-4000	4000	17.793	2.0	50.8	BLACK	BLUE	23.90	10.85
ICSN-2R3-4500	4500	20.017	2.0	50.8	BLACK	BROWN	33.20	15.06



Model							
ICSN-2R3-100-4500 WITH OVERSIZED IRMRM							
L		W1		H			
in	mm	in	mm	in	mm		
9 7/8	251	5 1/8	131	6 11/16	170		
T		W2		ø D			
in	mm	in	mm	in	mm		
3/8	10	2 1/2	64	3/8	16		
ø d		M		N			
in	mm	in	mm	in	mm		
1/2	15	3.0	77	1.0	26		
a		b		SPRING BOLT ADJUSTMENT			
in	mm	in	mm				
1 1/2	39	1.1	28	3/8"			

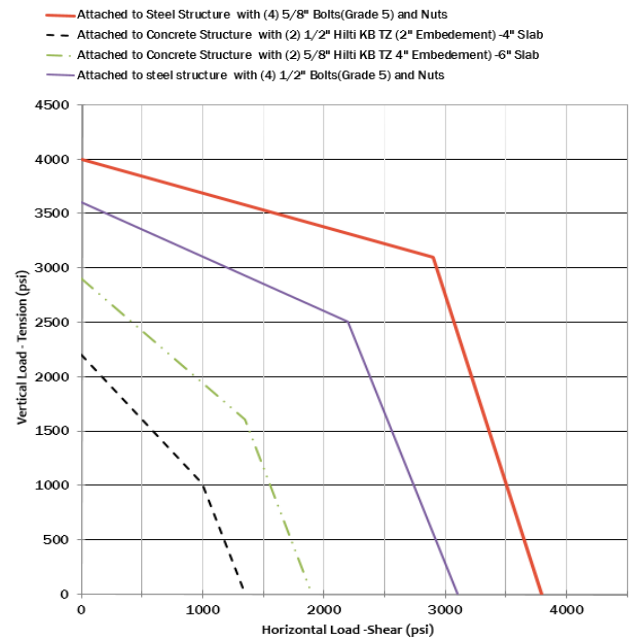
ISOLATOR'S LOCATIONS	
1:	5:
2:	6:
3:	7:
4:	8:

* Load Capacity Envelope: Concrete loads are based on 4000 psi reinforced concrete with minimum 6" edge distance and can be considered for nonseismic applications only.

Notes:

- ICSA-2R3-100-4500 isolators are all Pre-Compressed to allow the lowest overall installation height and to offer significant labor saving during installation
- All springs have additional travel to solid equal to 50% of the Rated Deflection with minimum Kx/Ky ratio of 1.0 - All Elements are safe at solid load
- Spring(s) are powder - coated to provide maximum corrosion resistance , and are color-coded for easy identification at site - see table above
- Hot-Dip Galvanized finish for Housing to offer maximum corrosion resistance for isolator - Hardware and Spring Compression Cup are zinc - electroplated
- ICSN-2R3-100-4500 isolators are designed to allow replacement of Neoprene grommet without disturbing equipment. Neoprene grommet is installed to prevent metal to metal contact
- 3/8" THK plate, with the same dimensions of isolator top plate, must be installed on top of isolator, when less than 80% of isolator's top plate is covered

ICSA-2-100-4500 Load Capacity Envelope



PROJECT INFORMATION		EQUIPMENT INFORMATION		Canada location		USA Location		
Customer:		Type:		35 Siltan Road	7700 Irvine Centre Drive	Suite 800		
Project:		Qty Required:		Woodbridge ON	Irvine, CA, 92618 U.S.A			
Drawing No:		Operating Weight:		L4L 7Z8 CANADA				
Notes:				T: 905-856-5001	T: 949-788-2930			
				www.isotechindustries.com				