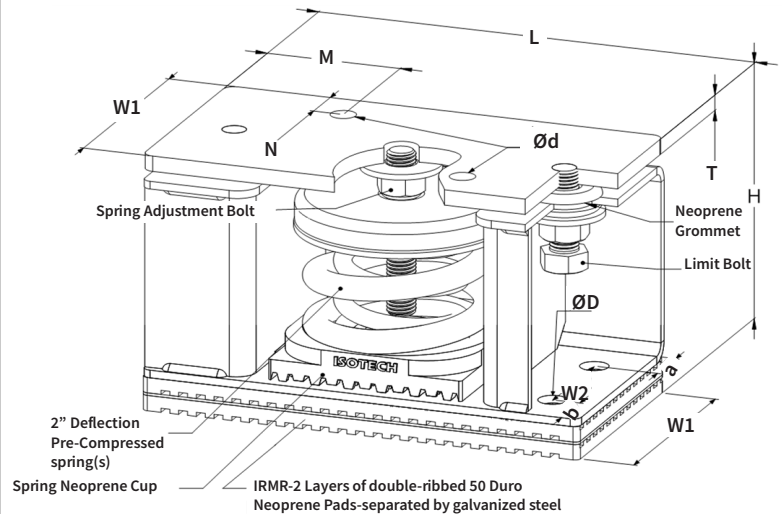
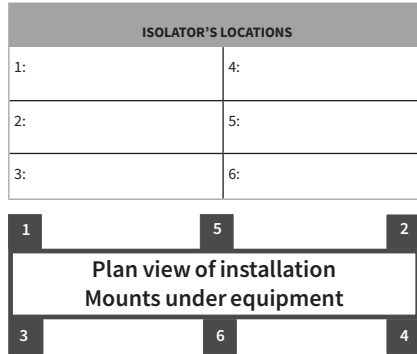


SPECIFICATIONS - 2" DEFLECTION RESTRAINED SPRING ISOLATOR C/W 2 LAYERS OF DOUBLE-RIBBED 50 DURO NEOPRENE PADS

Model	Rated Load		Rated Deflection		Spring Color		Approx. WT.	
	lb.	KN	in	mm	outer	inner	lb.	Kg
ICSN-2R2-100	100	0.445	2.0	50.8	RED	---	20.50	9.3
ICSN-2R2-200	200	0.89	2.0	50.8	WHITE	---	20.60	9.35
ICSN-2R2-300	300	1.335	2.0	50.8	WHITE	GREY	20.80	9.44
ICSN-2R2-400	400	1.78	2.0	50.8	WHITE	ORANGE	20.90	9.49
ICSN-2R2-500	500	2.225	2.0	50.8	BROWN	---	21.00	9.53
ICSN-2R2-600	600	2.669	2.0	50.8	BROWN	GREY	21.10	9.58
ICSN-2R2-800	800	3.559	2.0	50.8	BLUE	---	21.30	9.67
ICSN-2R2-1000	1000	4.449	2.0	50.8	BLUE	GREY	21.40	9.71
ICSN-2R2-1200	1200	5.338	2.0	50.8	GREEN	ORANGE	22.00	9.98
ICSN-2R2-1500	1500	6.673	2.0	50.8	GREY	---	21.80	9.89
ICSN-2R2-1800	1800	8.007	2.0	50.8	GREY	YELLOW	22.30	10.12
ICSN-2R2-2000	2000	8.897	2.0	50.8	GREY	WHITE	21.90	9.94
ICSN-2R2-2300	2300	10.231	2.0	50.8	GREY	RED	22.50	10.21
ICSN-2R2-2500	2500	11.121	2.0	50.8	ORANGE	---	22.10	10.03
ICSN-2R2-2800	2800	12.455	2.0	50.8	YELLOW	RED	22.90	10.39
ICSN-2R2-3000	3000	13.345	2.0	50.8	BLACK	---	22.50	10.21
ICSN-2R2-3500	3500	15.569	2.0	50.8	BLACK	WHITE	23.30	10.57
ICSN-2R2-3800	3800	16.904	2.0	50.8	BLACK	RED	23.70	10.76
ICSN-2R2-4000	4000	17.793	2.0	50.8	BLACK	BLUE	23.90	10.85
ICSN-2R2-4500	4500	20.017	2.0	50.8	BLACK	BROWN	33.20	15.06



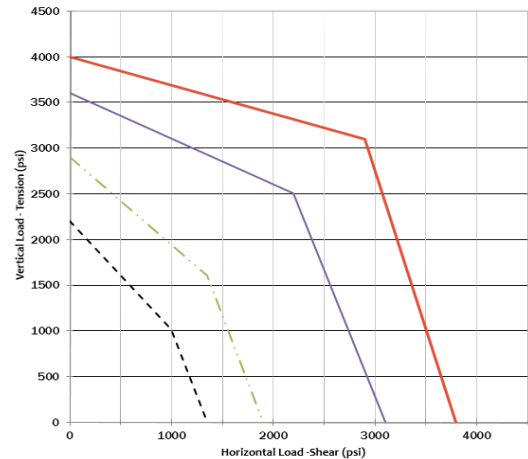
Model					
ICSN-2R2-100-4500 WITH IRMR					
L		W1		H	
in	mm	in	mm	in	mm
9 7/8	251	5 1/4	131	6 1/4	159
T		W2		øD	
in	mm	in	mm	in	mm
3/8	10	2 1/2	64	3/8	10
ød		M		N	
in	mm	in	mm	in	mm
9/16	15	3.0	77	1.0	26
a		b		SPRING BOLT ADJUSTMENT	
in	mm	in	mm		
1 1/2	39	1.1	28	5/8"	



* Load Capacity Envelope: Concrete loads are based on 4000 psi reinforced concrete with minimum 6" edge distance and can be considered for non-seismic applications only.


ICSN-2R2-100-4500 LOAD CAPACITY ENVELOPE

- Attached to Steel Structure with (4) 5/8" Bolts(Grade 5) and Nuts
- - Attached to Concrete Structure with (2) 1/2" Hilti KB TZ (2" Embedment) -4" Slab
- - Attached to Concrete Structure with (2) 5/8" Hilti KB TZ 4" Embedment) -6" Slab
- Attached to steel structure with (4) 1/2" Bolts(Grade 5) and Nuts



Notes:

- ICSN-2R2-100-4500 isolators are all Pre-Compressed to allow the lowest overall installation height and to offer significant labor saving during installation
- All springs have additional travel to solid equal to 50% of the Rated Deflection with minimum Kx/Ky ratio of 1.0 - All Elements are safe at solid load
- Spring(s) are powder - coated to provide maximum corrosion resistance , and are color-coded for easy identification at site - see table above
- Hot-Dip Galvanized finish for Housing to offer maximum corrosion resistance for isolator - Hardware and Spring Compression Cup are zinc -electroplated
- ICSN-2R2-100-4500 isolators are designed to allow replacement of Neoprene grommet without disturbing equipment. Neoprene grommet are installed to prevent metal to metal contact
- 3/8" THK plate, with the same dimensions of isolator top plate, must be installed on top of isolator, when less than 80% of isolator's top plate is covered

PROJECT INFORMATION		EQUIPMENT INFORMATION		Canada location		USA Location		
Customer:		Type:		35 Silton Road	7700 Irvine Centre Drive	Woodbridge ON	Suite 800	
Project:		Qty Required:		L4L 7Z8 CANADA	Irvine, CA, 92618 U.S.A			
Drawing No:		Operating Weight:		T: 905-856-5001	T: 949-788-2930			
Notes:				www.isotechindustries.com				