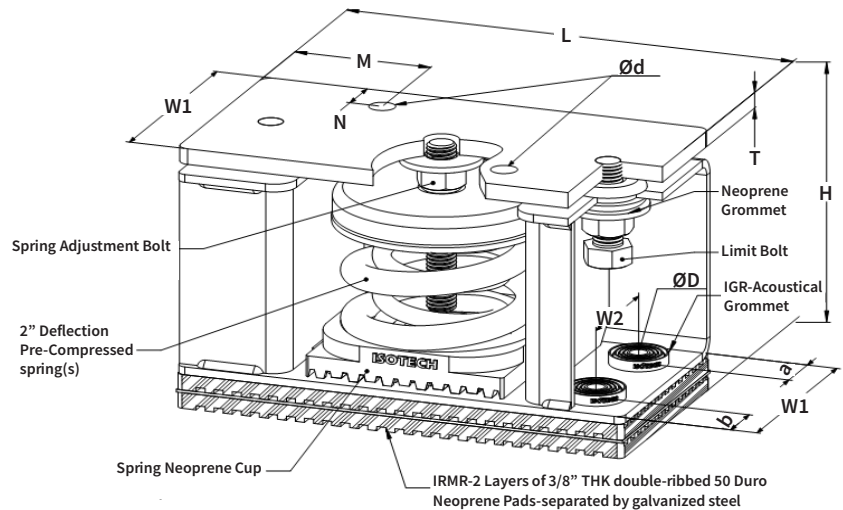


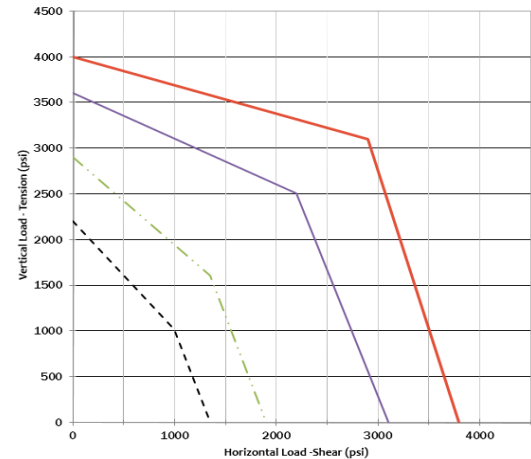
### SPECIFICATIONS - 2" DEFLECTION RESTRAINED SPRING ISOLATOR C/W 2 LAYERS OF DOUBLE-RIBBED 50 DURO NEOPRENE PADS

Model	Rated Load		Rated Deflection		Spring Color		Approx. WT.	
	lb.	KN	in	mm	outer	inner	lb.	Kg
ICSN-2R2-100	100	0.445	2.0	50.8	RED	---	20.50	9.3
ICSN-2R2-200	200	0.89	2.0	50.8	WHITE	---	20.60	9.35
ICSN-2R2-300	300	1.335	2.0	50.8	WHITE	GREY	20.80	9.44
ICSN-2R2-400	400	1.78	2.0	50.8	WHITE	ORANGE	20.90	9.49
ICSN-2R2-500	500	2.225	2.0	50.8	BROWN	---	21.00	9.53
ICSN-2R2-600	600	2.669	2.0	50.8	BROWN	GREY	21.10	9.58
ICSN-2R2-800	800	3.559	2.0	50.8	BLUE	---	21.30	9.67
ICSN-2R2-1000	1000	4.449	2.0	50.8	BLUE	GREY	21.40	9.71
ICSN-2R2-1200	1200	5.338	2.0	50.8	GREEN	ORANGE	22.00	9.98
ICSN-2R2-1500	1500	6.673	2.0	50.8	GREY	---	21.80	9.89
ICSN-2R2-1800	1800	8.007	2.0	50.8	GREY	YELLOW	22.30	10.12
ICSN-2R2-2000	2000	8.897	2.0	50.8	GREY	WHITE	21.90	9.94
ICSN-2R2-2300	2300	10.231	2.0	50.8	GREY	RED	22.50	10.21
ICSN-2R2-2500	2500	11.121	2.0	50.8	ORANGE	---	22.10	10.03
ICSN-2R2-2800	2800	12.455	2.0	50.8	YELLOW	RED	22.90	10.39
ICSN-2R2-3000	3000	13.345	2.0	50.8	BLACK	---	22.50	10.21
ICSN-2R2-3500	3500	15.569	2.0	50.8	BLACK	WHITE	23.30	10.57
ICSN-2R2-3800	3800	16.904	2.0	50.8	BLACK	RED	23.70	10.76
ICSN-2R2-4000	4000	17.793	2.0	50.8	BLACK	BLUE	23.90	10.85
ICSN-2R2-4500	4500	20.017	2.0	50.8	BLACK	BROWN	33.20	15.06

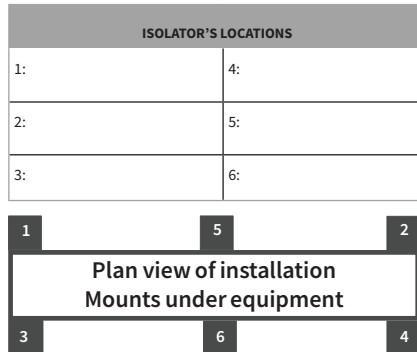


### ICSN-2R2-100-4500 LOAD CAPACITY ENVELOPE

- Attached to Steel Structure with (4) 5/8" Bolts(Grade 5) and Nuts
- - Attached to Concrete Structure with (2) 1/2" Hilti KB TZ (2" Embedment)-4" Slab
- - Attached to Concrete Structure with (2) 5/8" Hilti KB TZ 4" Embedment)-6" Slab
- Attached to steel structure with (4) 1/2" Bolts(Grade 5) and Nuts



Model					
ICSN-2R2-100-4500 WITH IRMR					
L		W1		H	
in	mm	in	mm	in	mm
9 7/8	251	5 1/8	131	6 1/4	159
T		W2		ØD	
in	mm	in	mm	in	mm
3/8	10	2 1/2	64	3/8	10
Ød		M		N	
in	mm	in	mm	in	mm
9/16	15	3.0	77	1.0	26
a		b		SPRING BOLT ADJUSTMENT	
in	mm	in	mm		
1 1/2	39	1.1	28	5/8"	



\* Load Capacity Envelope: Concrete loads are based on 4000 psi reinforced concrete with minimum 6" edge distance and can be considered for nonseismic applications only.

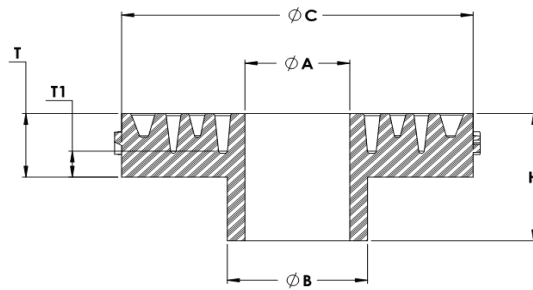
### Notes:

- ICSN-2R2-100-4500 Isolators are all Pre-Compressed to allow the lowest overall installation height and to offer significant labor saving during installation
- All springs have additional travel to solid equal to 50% of the Rated Deflection with minimum Kx/Ky ratio of 1.0 - All Elements are safe at solid load
- Spring(s) are powder - coated to provide maximum corrosion resistance , and are color-coded for easy identification at site - see table above
- Hot-Dip Galvanized finish for Housing to offer maximum corrosion resistance for isolator - Hardware and Spring Compression Cup are zinc -electroplated
- ICSN-2R2-100-4500 isolators are designed to allow replacement of Neoprene grommet without disturbing equipment. Neoprene grommet are installed to prevent metal to metal contact

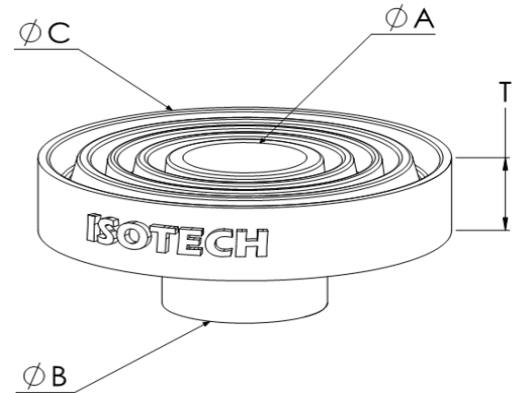
PROJECT INFORMATION		EQUIPMENT INFORMATION		Canada location	USA Location	
Customer:		Type:		35 Silton Road Woodbridge ON L4L 7Z8 CANADA T: 905-856-5001	7700 Irvine Centre Drive Suite 800 Irvine, CA, 92618 U.S.A T: 949-788-2930	
Project:		Qty Required:		www.isotechindustries.com		
Drawing No:		Operating Weight:				
Notes:						

## Specifications- Acoustical Grommet Washer Model IGR-XX

MODEL	øA		øB		øC		H		T		T1	
	in	mm	in	mm	in	mm	in	mm	in	mm	in	mm
IGR-38	3/8	10	1/2	13	1 1/4	32	1/2	13	1/4	7	1/8	4
IGR-50	1/2	13	3/4	20	1 5/8	42	5/8	16	5/16	8	3/16	5
IGR-63	5/8	16	7/8	23	2	51	3/4	20	3/8	10	3/16	5

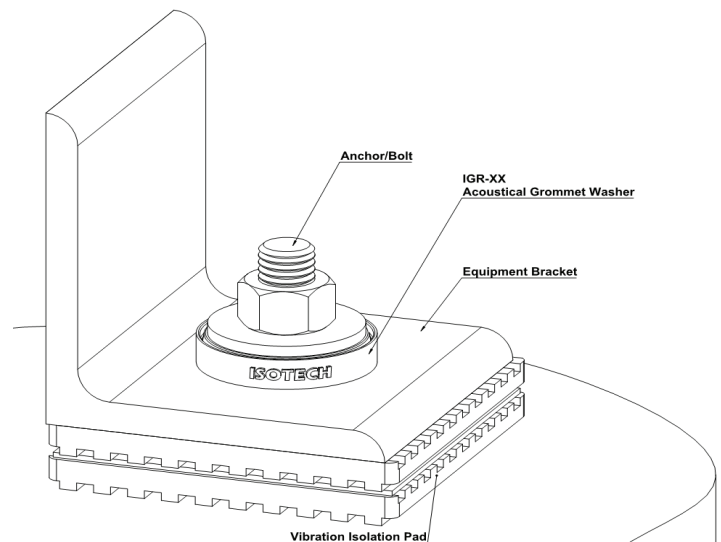



IGR - XX Section View



### Notes:

- Application of grooves and thicker material offers significant improvements on isolation efficiency of the system
- IGR Acoustical Grommet is available on 50 & 60 Duro Neoprene Material
- IGR Acoustical Grommet neoprene material is per ASTM D2000 Standards
- For Seismic applications, engineering details must be provided for proper anchor type and installations
- Anchor or Bolt Size to match øA dimension



PROJECT INFORMATION		EQUIPMENT INFORMATION		Canada location	USA Location	
Customer:		Type:		35 Silton Road Woodbridge ON L4L 7Z8 CANADA T: 905-856-5001	7700 Irvine Centre Drive Suite 800 Irvine, CA, 92618 U.S.A T: 949-788-2930	
Project:		Qty Required:		<a href="http://www.isotechindustries.com">www.isotechindustries.com</a>		
Drawing No:		Operating Weight:				
Notes:						

### SPECIFICATIONS - DOUBLE LAYER DOUBLE - RIBBED NEOPRENE VIBRATION ISOLATION PAD ( 50 DURO NEOPRENE)

IRMR-X-X DOUBLE LAYER NEOPRENE PAD (DOUBLE-RIBBED)	X		LOAD RANGE		OPTIMUM LOAD		APPROX. WT.	
	in	mm	lb.	KN	lb.	KN	in	mm
	2.0	50.8	90 - 250	0.401 - 1.113	180.0	0.80	0.17	0.08
3.0	76.2	220 - 550	0.979 - 2.447	410.0	1.82	0.34	0.16	
4.0	101.6	385 - 970	1.713 - 4.315	720.0	3.20	0.61	0.28	
6.0	152.4	850 - 2200	3.781 - 9.878	1650.0	7.34	1.42	0.65	
9.0	228.6	2050 - 4900	9.119 - 21.797	3650.0	16.24	3.05	1.39	
12.0	304.8	3550 - 8720	15.792 - 38.789	6500.0	28.91	5.44	2.47	
18.0	457.2	8060 - 19550	35.853 - 86.963	14690.0	64.94	12.70	5.77	
T		DEFLECTION RANGE				OPTIMUM DEFLECTION		
in	mm	in		mm		in	mm	
13/16	20.6	0.10 TO 0.20		2.8 TO 5.1		0.16	4.00	

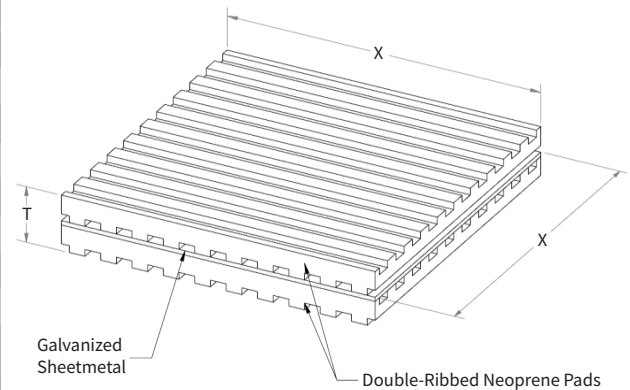


IMAGE: DOUBLE LAYER NEOPRENE PAD (DOUBLE-RIBBED)

### SPECIFICATIONS - ACOUSTICAL GROMMET WASHER MODEL IGR-XX

IRMR-X-X DOUBLE LAYER NEOPRENE PAD C/W GALVANIZED SHEETMETAL (LOAD DISTRIBUTION PLATE)	X		LOAD RANGE		OPTIMUM LOAD		APPROX. WT.	
	in	mm	lb.	KN	lb.	KN	in	mm
	2.0	50.8	90 - 250	0.401 - 1.113	180.0	0.80	0.24	0.11
3.0	76.2	220 - 550	0.979 - 2.447	410.0	1.82	0.50	0.23	
4.0	101.6	385 - 970	1.713 - 4.315	720.0	3.20	0.90	0.41	
6.0	152.4	850 - 2200	3.781 - 9.878	1650.0	7.34	2.06	0.94	
9.0	228.6	2050 - 4900	9.119 - 21.797	3650.0	16.24	3.64	2.05	
12.0	304.8	3550 - 8720	15.792 - 38.789	6500.0	28.91	8.02	3.64	
18.0	457.2	8060 - 19550	35.853 - 86.963	14690.0	64.94	18.50	8.4	
T		DEFLECTION RANGE				OPTIMUM DEFLECTION		
in	mm	in		mm		in	mm	
7/8	22.2	0.10 TO 0.20		2.8 TO 5.1		0.16	4.00	

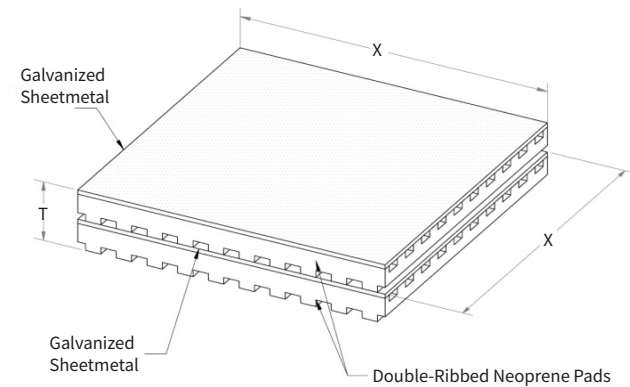



IMAGE : DOUBLE LAYER NEOPRENE PAD C/W GALVANIZED SHEETMETAL (LOAD DISTRIBUTION PLATE)

PROJECT INFORMATION		EQUIPMENT INFORMATION		Canada location	USA Location	
Customer:		Type:		35 Silton Road Woodbridge ON L4L 7Z8 CANADA T: 905-856-5001	7700 Irvine Centre Drive Suite 800 Irvine, CA, 92618 U.S.A T: 949-788-2930	
Project:		Qty Required:		<a href="http://www.isotechindustries.com">www.isotechindustries.com</a>		
Drawing No:		Operating Weight:				
Notes:						