

INSTALLATION INSTRUCTIONS

ICSN-2-100-4500 Restraint/Isolators are Pre-Compressed products. Isolator Top plate is under pressure caused by compressed springs. The following steps must be followed carefully for proper installation:

1. **Do not remove** Spacers/Shipping Blocks from isolators until **step #10** as they are the key indicators for proper adjustment on springs
2. Refer to submittal package prepared by ISOTECH Industries and locate each isolator based on model # and identification tag provided
3. Secure Isolators to the supporting structure using (4) four 5/8" dia. bolts.
 - a. Refer to submittal package if isolators are supported by concrete structure for anchor size and installation instructions
4. Use crane, gantry or other proper lifting machine to elevate equipment and/or equipment supporting structure
5. Carefully lower the equipment and/or equipment supporting structure and properly locate it on top of isolators. Use (2) two 1/2" dia. bolts to secure the equipment and/or equipment supporting structure to each isolator
6. DO NOT shift or move isolators laterally When equipment weight is supported by isolators.
7. Ensure isolator top plate is fully covered by equipment and/or equipment supporting structure as shown in pictures below. For installations where less than 80% of isolator top plate is covered, refer to Step 11 shown on the third page:

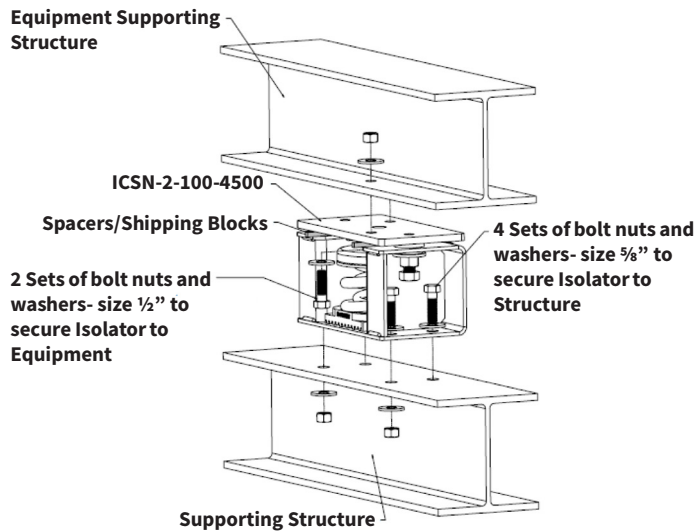


Fig 1.

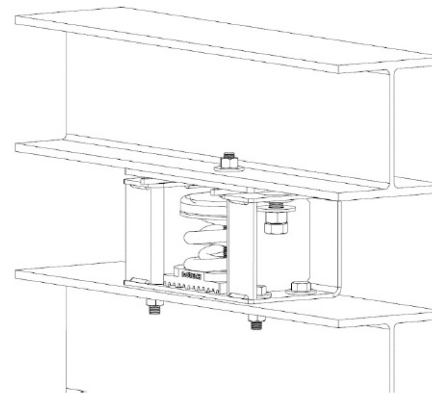


Fig 2.

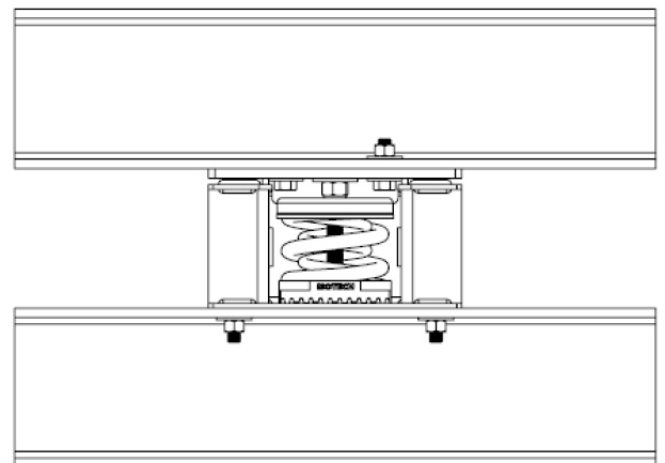
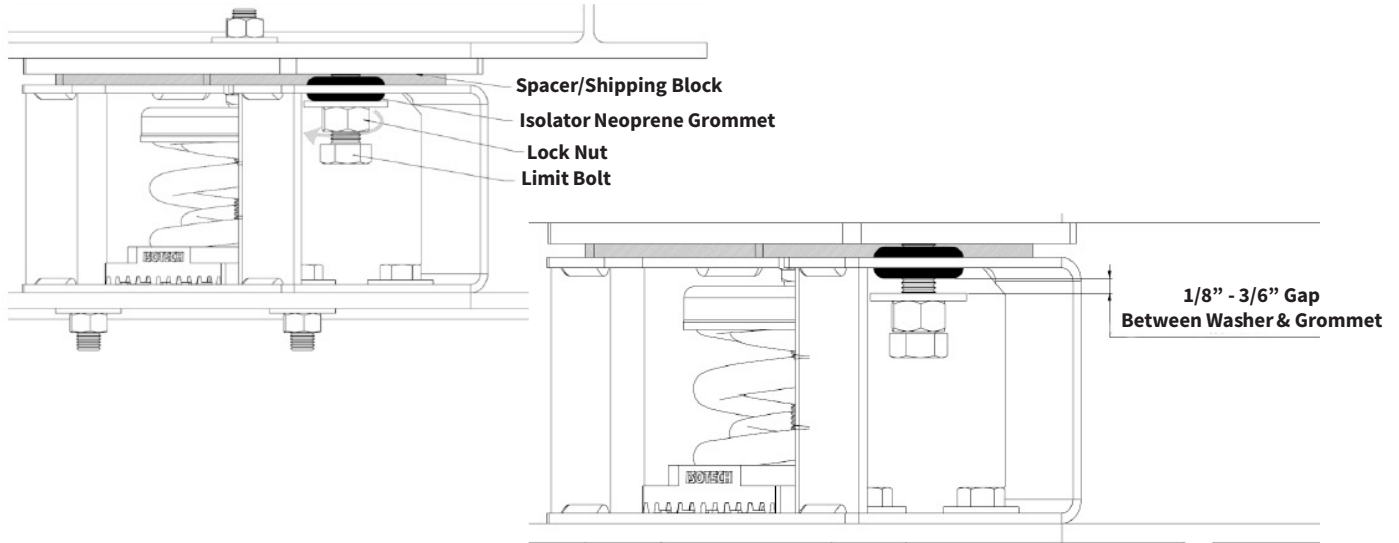


Fig 3.

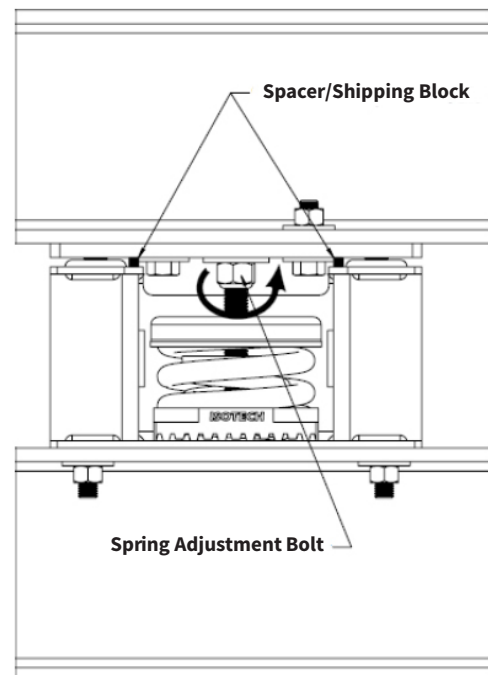
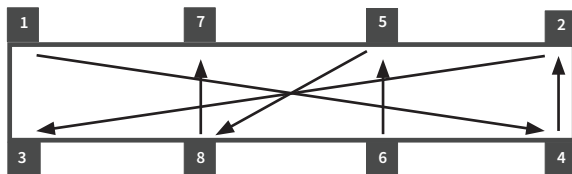
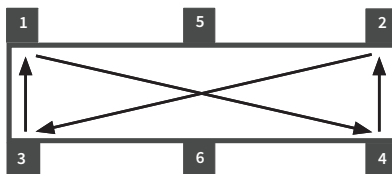
INSTALLATION INSTRUCTIONS

ICSN-2-100-4500 Restraint/Isolators are Pre-Compressed products. Isolator Top plate is under pressure caused by compressed springs. The following steps must be followed carefully for proper installation:

8. Loosen the two **Lock Nuts** located inside each stanchion as shown in the picture and move it down to have 1/8" to 3/16" gap between washer and bottom of **Isolator Neoprene Grommet**



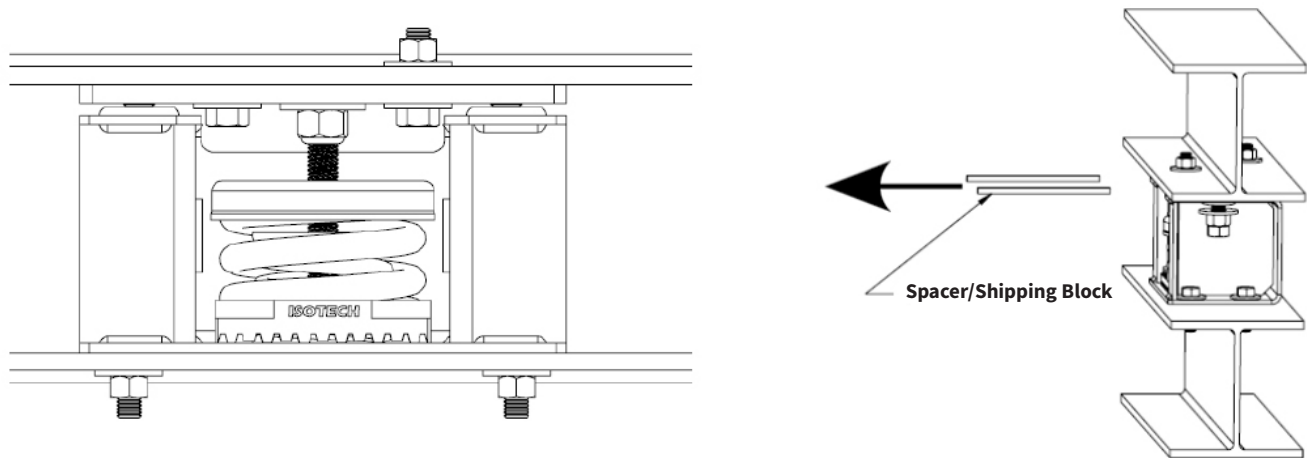
9. With Spacers/ Shipping Blocks in place, follow star pattern sequence shown below and turn **Spring Adjustment Bolt** one or two turns on each isolator. DO NOT turn **Spring Adjustment Bolt** more than two turns at a time



INSTALLATION INSTRUCTIONS

ICSN-2-100-4500 Restraint/Isolators are Pre-Compressed products. Isolator Top plate is under pressure caused by compressed springs. The following steps must be followed carefully for proper installation:

10. Follow Star Pattern Sequence until **Spacers/ Shipping Blocks** can be removed easily



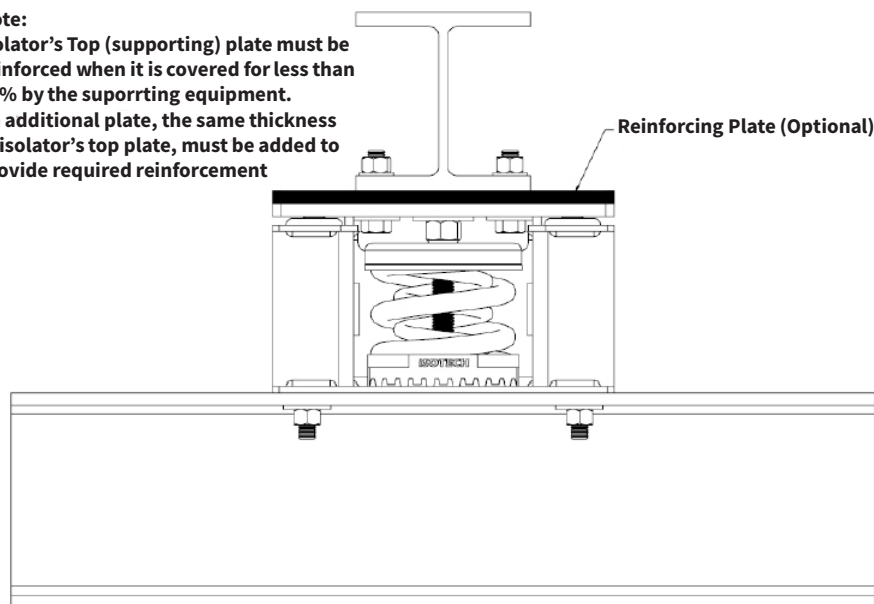
11. Installations where Equipment supporting structure or equipment footing covers less than 80% of isolator top plate:

- Add a reinforcing plate, with the same dimensions of isolator top plate, on top of isolator top plate as shown below:

Note:

Isolator's Top (supporting) plate must be reinforced when it is covered for less than 80% by the supporting equipment.

An additional plate, the same thickness of isolator's top plate, must be added to provide required reinforcement



- Continue Installation by following Steps 8 through 10