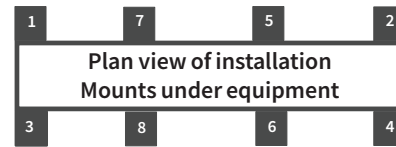
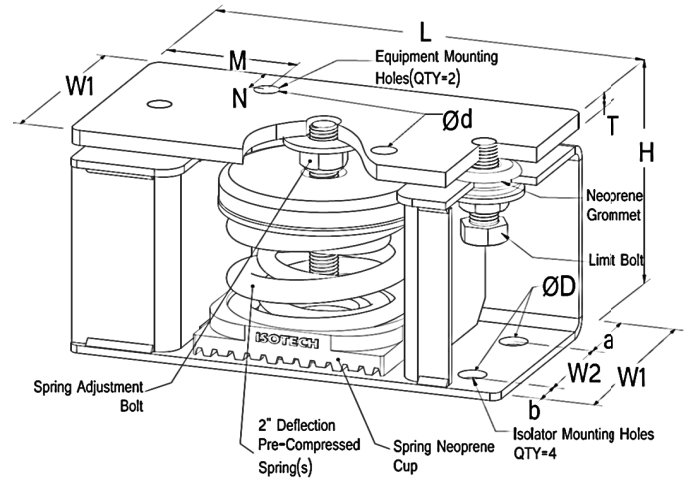


SPECIFICATIONS - 2" DEFLECTION RESTRAINED SPRING

Model	Rated Load		Rated Deflection		Spring Color		Approx. WT.	
	lb.	KN	in	mm	outer	inner	lb.	Kg
ICSN-2-100*	100	0.445	2.0	50.8	RED	---	17.50	7.94
ICSN-2-200*	200	0.89	2.0	50.8	WHITE	---	17.60	7.99
ICSN-2-300*	300	1.335	2.0	50.8	WHITE	GREY	17.80	8.08
ICSN-2-400*	400	1.78	2.0	50.8	WHITE	ORANGE	17.90	8.12
ICSN-2-500*	500	2.225	2.0	50.8	BROWN	---	18.40	8.17
ICSN-2-600*	600	2.669	2.0	50.8	BROWN	GREY	18.10	8.22
ICSN-2-800*	800	3.559	2.0	50.8	BLUE	---	18.30	8.31
ICSN-2-1000	1000	4.449	2.0	50.8	GREEN	---	18.40	8.35
ICSN-2-1200	1200	5.338	2.0	50.8	GREEN	ORANGE	19.00	8.62
ICSN-2-1500	1500	6.673	2.0	50.8	GREY	---	18.80	8.53
ICSN-2-1800	1800	8.007	2.0	50.8	GREY	YELLOW	19.30	8.76
ICSN-2-2000	2000	8.897	2.0	50.8	GREY	WHITE	18.90	8.58
ICSN-2-2300	2300	9.787	2.0	50.8	GREY	RED	19.50	8.85
ICSN-2-2500	2500	11.121	2.0	50.8	ORANGE	---	19.10	8.67
ICSN-2-2800	2800	12.455	2.0	50.8	ORANGE	YELLOW	19.90	9.03
ICSN-2-3000	3000	13.345	2.0	50.8	BLACK	---	19.50	8.85
ICSN-2-3500	3500	15.569	2.0	50.8	BLACK	WHITE	20.30	9.21
ICSN-2-3800	3800	16.904	2.0	50.8	BLACK	RED	20.70	9.39
ICSN-2-4000	4000	17.793	2.0	50.8	BLACK	BLUE	20.90	9.49
ICSN-2-4500	4500	20.017	2.0	50.8	BLACK	BROWN	30.20	13.7

*: Use ICSA-2S-100-800 for isolation capacities ranging between 100 to 800 lbs

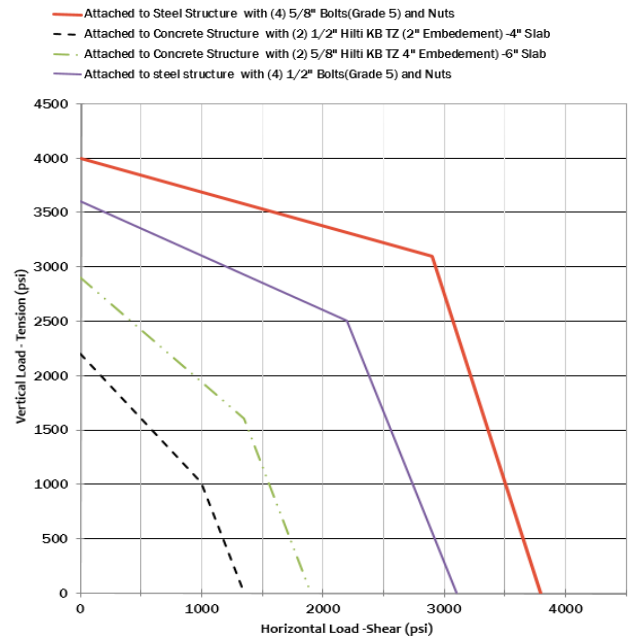


Model						
ICSN-2-100-4500						
L		W1		H		
in	mm	in	mm	in	mm	
9 7/8	251	5 1/2	131	5 7/16	138	
T		W2		øD		
in	mm	in	mm	in	mm	
3/8	10	2 1/2	64	3/8	16	
od		M		N		
in	mm	in	mm	in	mm	
3/16	15	3.0	77	1.0	26	
a		b		SPRING BOLT ADJUSTMENT		
in	mm	in	mm			
1 1/2	39	1.1	28			3/8"


ISOLATOR'S LOCATIONS	
1:	5:
2:	6:
3:	7:
4:	8:

* Load Capacity Envelope: Concrete loads are based on 4000 psi reinforced concrete with minimum 6" edge distance and can be considered for nonseismic applications only.

ICSA-2-100-4500 Load Capacity Envelope



- Notes:**
- ICSN-2-100-4500 isolators are all Pre-Compressed to allow the lowest overall installation height and to offer significant labor saving during installation
 - All springs have additional travel to solid equal to 50% of the Rated Deflection with minimum Kx/Ky ratio of 1.0 - All Elements are safe at solid load
 - Spring(s) are powder - coated to provide maximum corrosion resistance , and are color-coded for easy identification at site - see table above
 - Hot-Dip Galvanized finish for Housing to offer maximum corrosion resistance for isolator - Hardware and Spring Compression Cup are zinc -electroplated
 - ICSN-2-100-4500 isolators are designed to allow replacement of Neoprene grommet without disturbing equipment. Neoprene grommet are installed to prevent metal to metal contact
 - 3/8" THK plate, with the same dimensions of isolator top plate, must be installed on top of isolator, when less than 80% of isolator's top plate is covered

PROJECT INFORMATION		EQUIPMENT INFORMATION		Canada location		USA Location		
Customer:		Type:		35 Siltan Road	7700 Irvine Centre Drive	Suite 800		
Project:		Qty Required:		Woodbridge ON	Irvine, CA, 92618 U.S.A			
Drawing No:		Operating Weight:		L4L 7Z8 CANADA	T: 905-856-5001	T: 949-788-2930		
Notes:	www.isotechindustries.com							