

SPECIFICATIONS - 2" DEFLECTION SPRING

Model	PIPE SIZE	A	B	H	X	L	øD	ød	S	M
	Nom.	in	in	in	in	in	in	in	in	in
ICFRSM-2-100-1500	1 ½	4.00	7.00	6.65	2.00	6.67	1.90	6.00	¾	½
ICFRSM-2-100-1500	2	4.00	7.00	6.65	2.00	6.91	2.38	6.00	¾	½
ICFRSM-2-100-1500	2 ½	4.00	7.00	6.65	2.00	7.11	2.88	7.00	¾	½
ICFRSM-2-100-1500	3	4.00	7.00	6.65	2.00	7.45	3.50	8.00	½	½
ICFRSM-2-100-1500	4	4.00	7.00	6.65	2.00	7.98	4.50	8.00	½	½
ICFRSM-2-100-1500	6	4.00	7.00	6.65	2.00	9.07	6.63	10.00	½	½

SPECIFICATIONS - 3" DEFLECTION SPRING

Model	PIPE SIZE	A	B	H	X	L	øD	ød	S	M
	Nom.	in	in	in	in	in	in	in	in	in
ICFRSM-3-100-1500	1 ½	4.00	7.00	6.65	3.00	6.67	1.90	6.00	¾	½
ICFRSM-3-100-1500	2	4.00	7.00	6.65	3.00	6.91	2.38	6.00	¾	½
ICFRSM-3-100-1500	2 ½	4.00	7.00	6.65	3.00	7.11	2.88	7.00	¾	½
ICFRSM-3-100-1500	3	4.00	7.00	6.65	3.00	7.45	3.50	8.00	½	½
ICFRSM-3-100-1500	4	4.00	7.00	6.65	3.00	7.98	4.50	8.00	½	½
ICFRSM-3-100-1500	6	4.00	7.00	6.65	3.00	9.07	6.63	10.00	½	½

SPECIFICATIONS - 4" DEFLECTION SPRING

Model	PIPE SIZE	A	B	H	X	L	øD	ød	S	M
	Nom.	in	in	in	in	in	in	in	in	in
ICFRSM-4-100-1500	1 ½	4.00	7.00	6.65	4.00	6.67	1.90	6.00	¾	½
ICFRSM-4-100-1500	2	4.00	7.00	6.65	4.00	6.91	2.38	6.00	¾	½
ICFRSM-4-100-1500	2 ½	4.00	7.00	6.65	4.00	7.11	2.88	7.00	¾	½
ICFRSM-4-100-1500	3	4.00	7.00	6.65	4.00	7.45	3.50	8.00	½	½
ICFRSM-4-100-1500	4	4.00	7.00	6.65	4.00	7.98	4.50	8.00	½	½
ICFRSM-4-100-1500	6	4.00	7.00	6.65	4.00	9.07	6.63	10.00	½	½

SPECIFICATIONS - 5" DEFLECTION SPRING

Model	PIPE SIZE	A	B	H	X	L	øD	ød	S	M
	Nom.	in	in	in	in	in	in	in	in	in
ICFRSM-5-100-1500	1 ½	4.00	7.00	6.65	5.00	6.67	1.90	6.00	¾	½
ICFRSM-5-100-1500	2	4.00	7.00	6.65	5.00	6.91	2.38	6.00	¾	½
ICFRSM-5-100-1500	2 ½	4.00	7.00	6.65	5.00	7.11	2.88	7.00	¾	½
ICFRSM-5-100-1500	3	4.00	7.00	6.65	5.00	7.45	3.50	8.00	½	½
ICFRSM-5-100-1500	4	4.00	7.00	6.65	5.00	7.98	4.50	8.00	½	½
ICFRSM-5-100-1500	6	4.00	7.00	6.65	5.00	9.07	6.63	10.00	½	½

Notes

- Insulation not shown. Pipe must be insulated once gussets are welded to pipe and pipe is floating on springs

Installation Instructions

- Follow Submittal package, locate spring isolators at their designated locations on both sides of the pipe, as shown in figure 1
- Weld Gussets on both sides to the pipe for both spring assemblies. Welds must conform to CSA-W59 Latest edition.
- Anchor Spring Support plate to concrete slab as shown
- Spring Assemblies are Factory Pre-compressed - no spring adjustment is required on site - see final installation figure 2
- Once all springs re installed for the entire pipe riser system, remove the Riser Spring Block Bolts as shown.
Pipe must be floating on springs once Riser Spring Blocks are removed

Figure 1

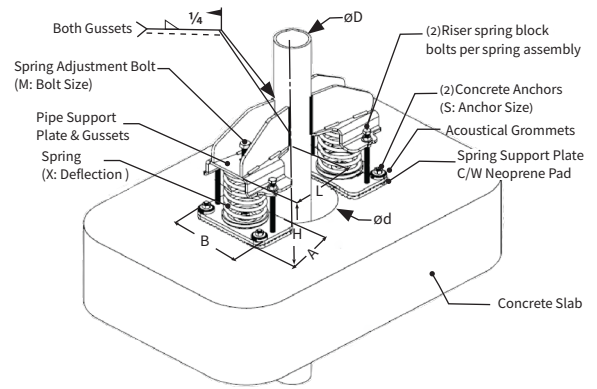
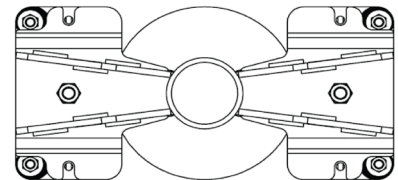
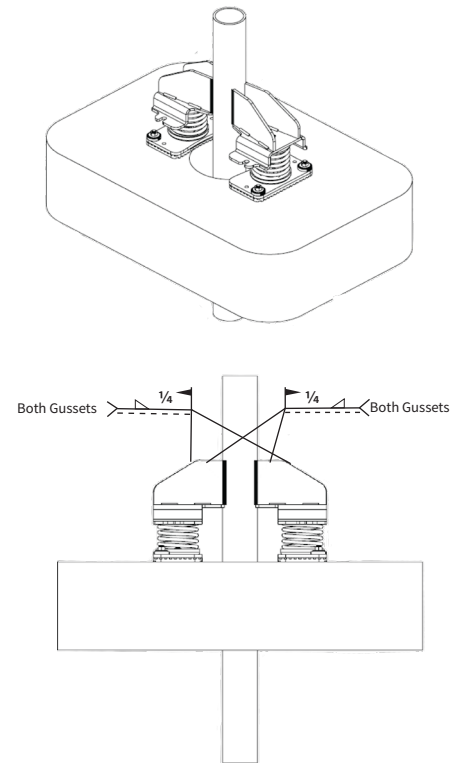



Figure 2



PROJECT INFORMATION		EQUIPMENT INFORMATION		Canada location	USA Location	
Customer:		Consulting Engineer:		35 Silton Road Woodbridge ON L4L 7Z8 CANADA T: 905-856-5001	7700 Irvine Centre Drive Suite 800 Irvine, CA, 92618 U.S.A T: 949-788-2930	
Project:		Acoustical Consultant:				
Drawing No:		Riser Tag:				
Notes:				www.isotechindustries.com		