

**SPECIFICATIONS - 2" DEFLECTION SPRING**

Model	PIPE SIZE	A	B	H	X	L	øD	ød	S	M
	Nom.	in	in	in	in	in	in	in	in	in
ICPFRSM-2-100-1500	1	4.00	7.00	6.65	2.00	6.52	1.13	6.00	3/8	1/2
ICPFRSM-2-100-1500	1 1/4	4.00	7.00	6.65	2.00	6.72	1.38	6.00	3/8	1/2
ICPFRSM-2-100-1500	1 1/2	4.00	7.00	6.65	2.00	6.85	1.63	6.00	3/8	1/2
ICPFRSM-2-100-1500	2	4.00	7.00	6.65	2.00	7.20	2.13	6.00	3/8	1/2
ICPFRSM-2-100-1500	2 1/2	4.00	7.00	6.65	2.00	7.46	2.63	7.00	3/8	1/2
ICPFRSM-2-100-1500	3	4.00	7.00	6.65	2.00	7.88	3.13	8.00	1/2	1/2
ICPFRSM-2-100-1500	4	4.00	7.00	6.65	2.00	8.39	4.13	8.00	1/2	1/2

**SPECIFICATIONS - 3" DEFLECTION SPRING**

Model	PIPE SIZE	A	B	H	X	L	øD	ød	S	M
	Nom.	in	in	in	in	in	in	in	in	in
ICPFRSM-3-100-1500	1	4.00	7.00	6.65	3.00	6.52	1.13	6.00	3/8	1/2
ICPFRSM-3-100-1500	1 1/4	4.00	7.00	6.65	3.00	6.72	1.38	6.00	3/8	1/2
ICPFRSM-3-100-1500	1 1/2	4.00	7.00	6.65	3.00	6.85	1.63	6.00	3/8	1/2
ICPFRSM-3-100-1500	2	4.00	7.00	6.65	3.00	7.20	2.13	6.00	3/8	1/2
ICPFRSM-3-100-1500	2 1/2	4.00	7.00	6.65	3.00	7.46	2.63	7.00	3/8	1/2
ICPFRSM-3-100-1500	3	4.00	7.00	6.65	3.00	7.88	3.13	8.00	1/2	1/2
ICPFRSM-3-100-1500	4	4.00	7.00	6.65	3.00	8.39	4.13	8.00	1/2	1/2

**SPECIFICATIONS - 4" DEFLECTION SPRING**

Model	PIPE SIZE	A	B	H	X	L	øD	ød	S	M
	Nom.	in	in	in	in	in	in	in	in	in
ICPFRSM-4-100-1500	1	4.00	7.00	6.65	4.00	6.52	1.13	6.00	3/8	1/2
ICPFRSM-4-100-1500	1 1/4	4.00	7.00	6.65	4.00	6.72	1.38	6.00	3/8	1/2
ICPFRSM-4-100-1500	1 1/2	4.00	7.00	6.65	4.00	6.85	1.63	6.00	3/8	1/2
ICPFRSM-4-100-1500	2	4.00	7.00	6.65	4.00	7.20	2.13	6.00	3/8	1/2
ICPFRSM-4-100-1500	2 1/2	4.00	7.00	6.65	4.00	7.46	2.63	7.00	3/8	1/2
ICPFRSM-4-100-1500	3	4.00	7.00	6.65	4.00	7.88	3.13	8.00	1/2	1/2
ICPFRSM-4-100-1500	4	4.00	7.00	6.65	4.00	8.39	4.13	8.00	1/2	1/2

**SPECIFICATIONS - 5" DEFLECTION SPRING**

Model	PIPE SIZE	A	B	H	X	L	øD	ød	S	M
	Nom.	in	in	in	in	in	in	in	in	in
ICPFRSM-5-100-1500	1	4.00	7.00	6.65	5.00	6.52	1.13	6.00	3/8	1/2
ICPFRSM-5-100-1500	1 1/4	4.00	7.00	6.65	5.00	6.72	1.38	6.00	3/8	1/2
ICPFRSM-5-100-1500	1 1/2	4.00	7.00	6.65	5.00	6.85	1.63	6.00	3/8	1/2
ICPFRSM-5-100-1500	2	4.00	7.00	6.65	5.00	7.20	2.13	6.00	3/8	1/2
ICPFRSM-5-100-1500	2 1/2	4.00	7.00	6.65	5.00	7.46	2.63	7.00	3/8	1/2
ICPFRSM-5-100-1500	3	4.00	7.00	6.65	5.00	7.88	3.13	8.00	1/2	1/2
ICPFRSM-5-100-1500	4	4.00	7.00	6.65	5.00	8.39	4.13	8.00	1/2	1/2

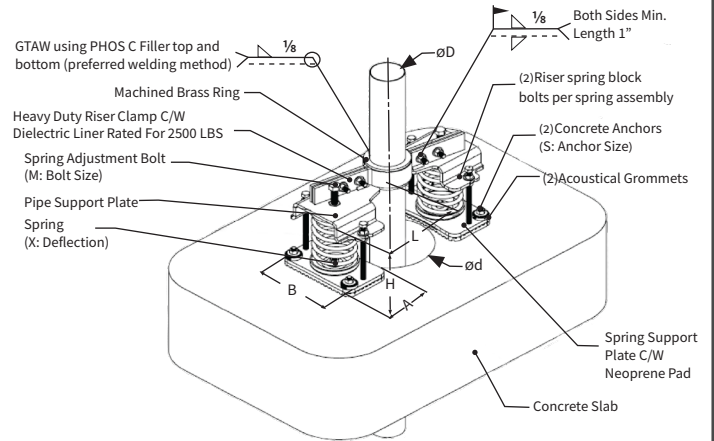
**Notes**

- Insulation not shown. Pipe must be insulated once gussets are welded to pipe and pipe is floating on springs

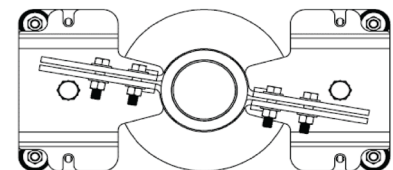
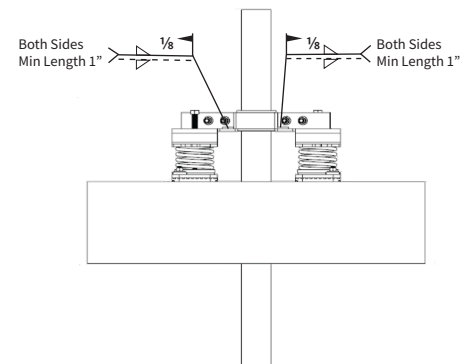
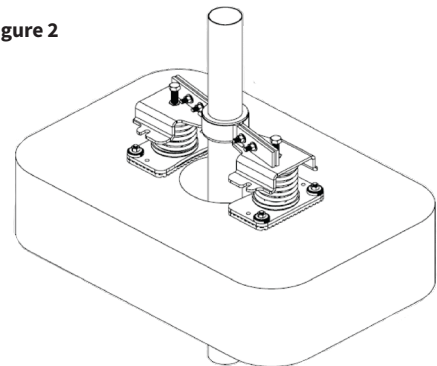
**Installation Instructions**


- Follow Submittal package, locate spring isolators at their designated locations on both sides of the pipe, as shown on Figure 1
- Solder Machined Brass Ring to copper pipe top and bottom as shown in Figure 1. Place heavy duty riser clamp on Spring Pipe Support Plate, clamp it to brass ring and weld it to Pipe Support Plate as shown and per above specifications.
- Anchor Spring Support plate to concrete slab as shown
- Spring Assemblies are Factory precompressed - no spring adjustment is required on site - see final installation on Figure 2
- Once all springs are installed for the entire pipe riser system, remove Riser Spring Block Bolts as shown. Pipe must be floating on springs once Riser Spring Blocks are removed

**Figure 1**



**Figure 2**



PROJECT INFORMATION		EQUIPMENT INFORMATION		Canada location	USA Location	
Customer:		Consulting Engineer:		35 Silton Road Woodbridge ON L4L 7Z8 CANADA T: 905-856-5001	7700 Irvine Centre Drive Suite 800 Irvine, CA, 92618 U.S.A T: 949-788-2930	
Project:		Acoustical Consultant:				
Drawing No:		Riser Tag:				
Notes:				www.isotechindustries.com		