

SPECIFICATIONS - ALL DIRECTIONAL SEISMIC SNUBBER

Model	L		L1		L2		T		Approx. WT.			
	in	mm	in	mm	in	mm	in	mm	lb.	Kg		
IBSS-4000	10	245	8	204	11	208	1/2	13	1 1/16	21	50	22.7

MODEL - IBSS - 4000

MODEL	W		W1		H		H1		H2		a		b	
	in	mm	in	mm	in	mm	in	mm	in	mm	in	mm	in	mm
IBSS-4000	7 5/8	194	6 1/8	156	6	153	7 1/2	191	4	102	2 3/4	70	1	25

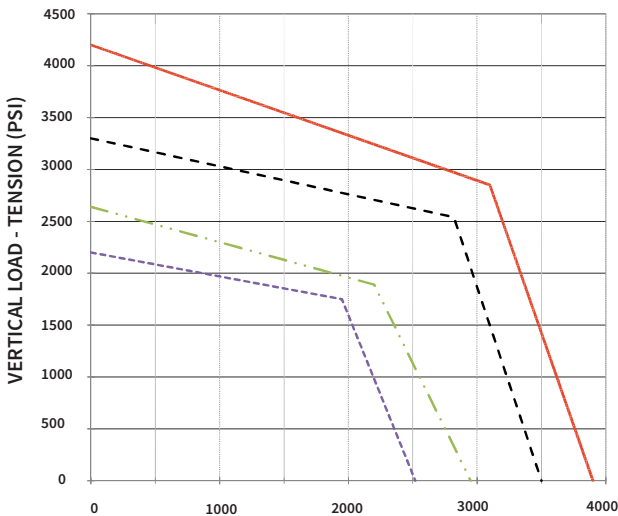
Notes:

- IBSS Seismic snubbers are made of high yield/strength steel material and are designed for Minimum 1 g lateral force
- IBSS Seismic snubbers are zinc plated for corrosion resistance
- Seismic Load calculation must be performed to ensure proper selection of product. Anchor type, embedment, edge distance and anchor size have direct effect on snubber capacity

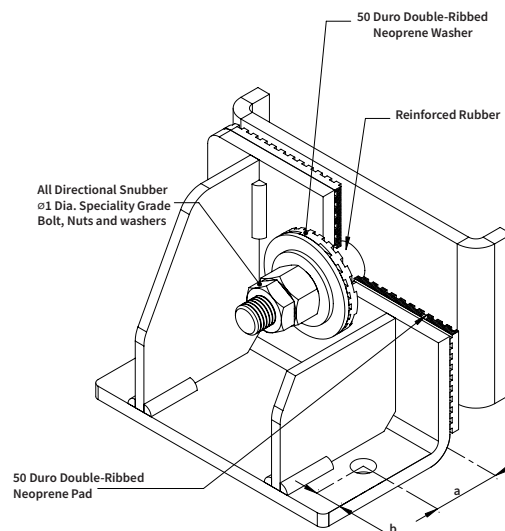
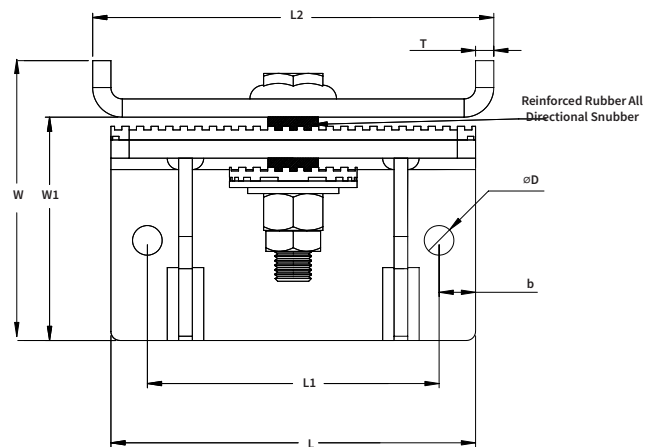
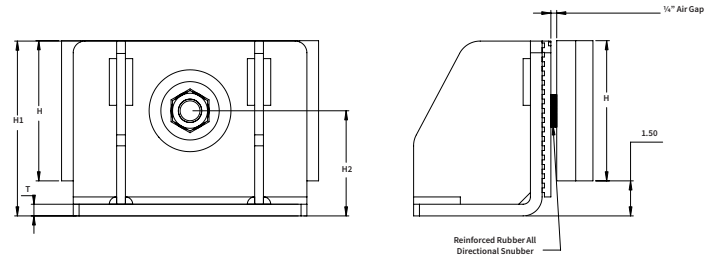



IBSS - 3500 Load Capacity Envelope

- Attached to Steel Structure with (2) 5/8" Bolts (Grade 5) and Nuts
- - Attached to Concrete Structure with (2) 5/8" B7 Hilti HY-200 (4" Embedment)- 6" slab
- · - Attached to Concrete Structure with (2) 5/8" B7 Hilti KB TZ (4" Embedment)- 6" slab
- · - Attached to Steel Structure with (2) 1/2" Hilti KB TZ (3 - 1/4" Embedment)- 4" slab



* Anchor capacity is based on 4000 psi reinforce concrete (cracked concrete) with minimum 6" edge distance. Hilti anchors - HY200 & kbtz - were considered for all calculations. Detailed calculations must be performed if different anchors are used.



PROJECT INFORMATION		EQUIPMENT INFORMATION		Canada location	USA Location	
Customer:		Type:		35 Silton Road Woodbridge ON L4L 7Z8 CANADA T: 905-856-5001	7700 Irvine Centre Drive Suite 800 Irvine, CA, 92618 U.S.A T: 949-788-2930	
Project:		Qty Required:				
Drawing No:		Operating Weight:				
Notes:						