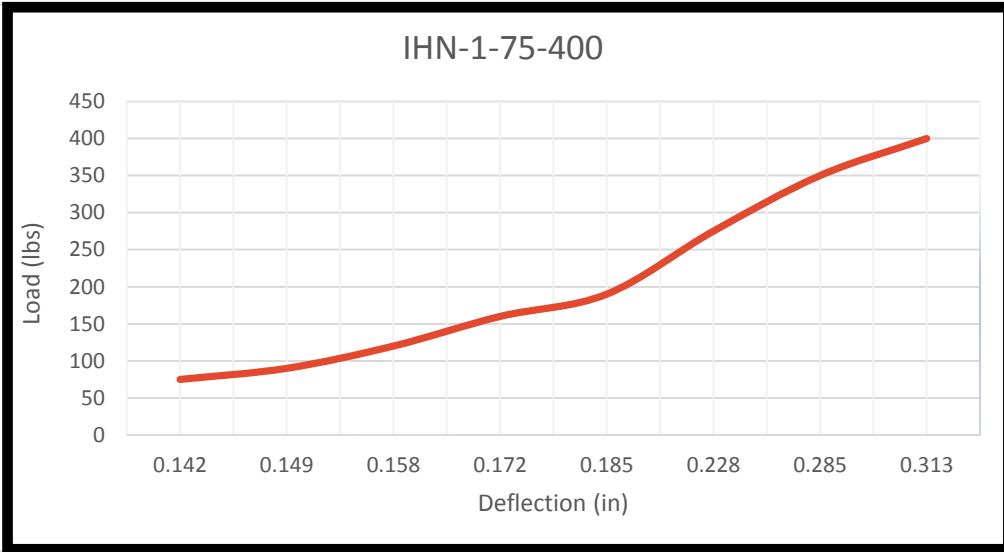
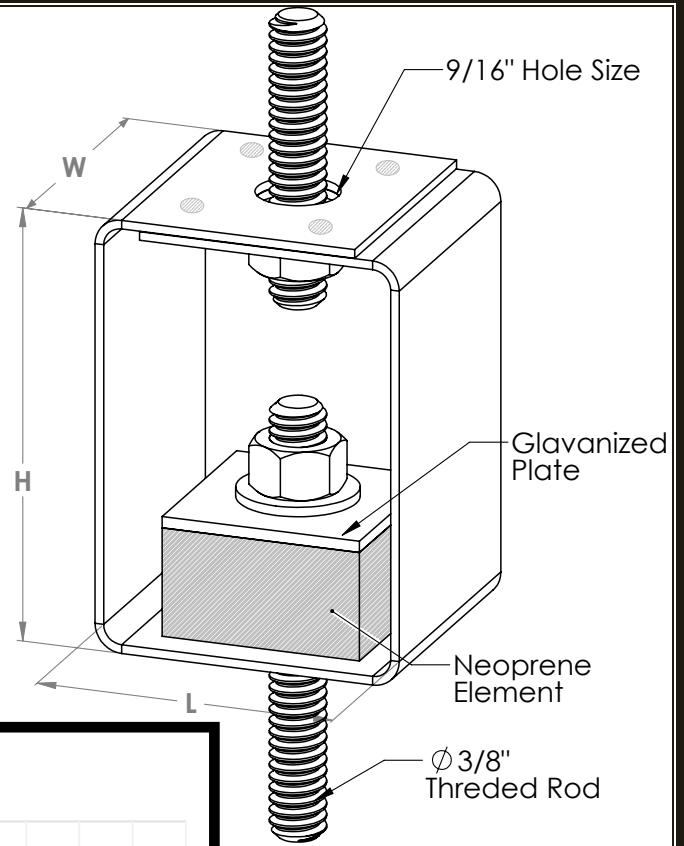




ISOTECH INDUSTRIES

Vibration Isolation . Restraint Systems . Custom Engineering

30 Pennsylvania Unit #7
 Vaughan , ON L4K 4A5
 CANADA
 www.isotechindustries.com



Dimension	Neoprene Hanger - Model IHN-1-75-400							
Model	H		W		L		Approx. WT.	
	in	mm	in	mm	in	mm	lb	Kg
IHN-1-75-400	3.0	77	1 7/8	48	2 1/8	54	0.45	0.21
File No.: ISOCS-IHN-1-75-400						Date: 09/15/15		
ISOIN-IHN-1-75-400, Installation Instructions document, to be reviewed for installation								

Customer:	
Consulting Engineer:	
Project:	
Drawing No.:	
QTY Required:	