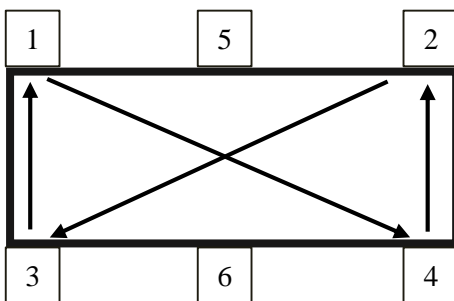
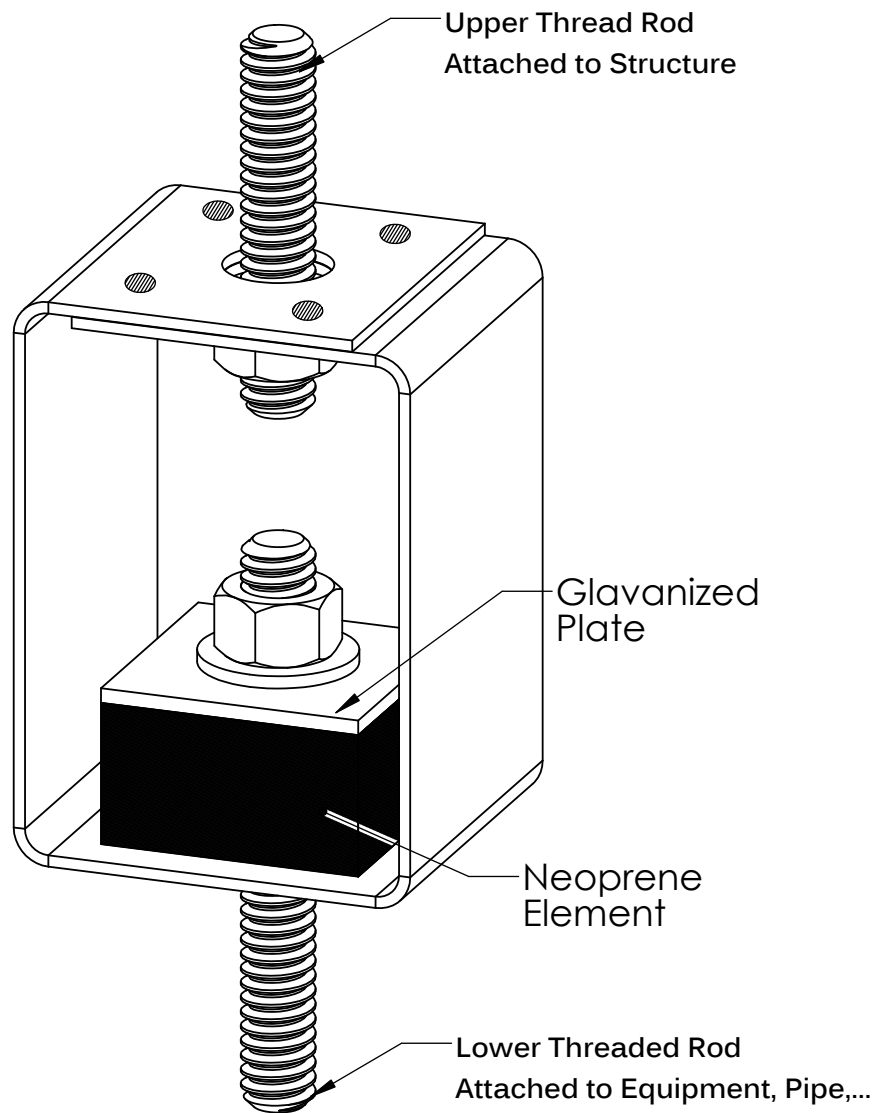


Installation Instructions IHN-1-75-400

File No. ISOIN-IHN-1-75-400

Date: 22/12/2015

1. Refer to submittal package prepared by ISOTECH Industries and locate each isolator based on model # and identification tag provided
2. Attach upper hanger rod to structure and secure it at the bottom of neoprene element. Leave at least $\frac{1}{4}$ " gap between isolator housing and structure
3. Mount equipment, piping or ductwork to isolator using lower hanger rod



Star Pattern Order:
1,4,2,3, & 1