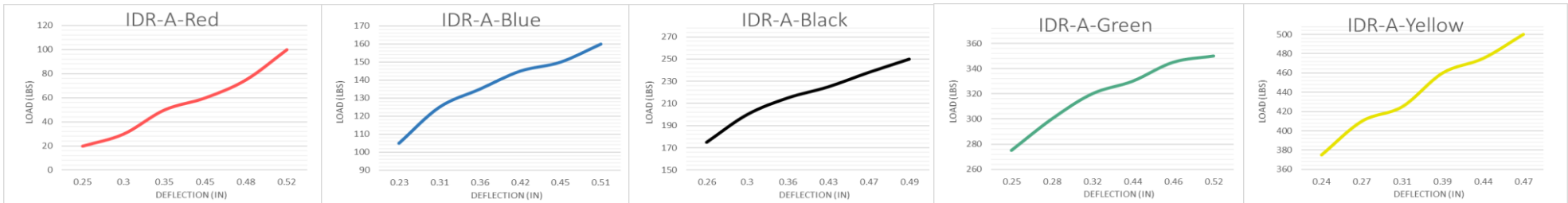
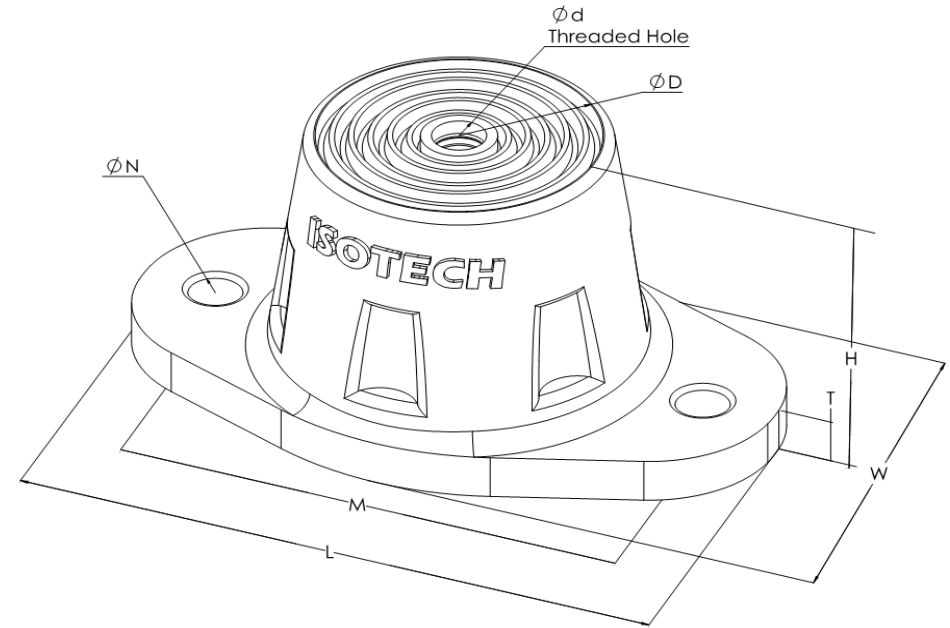


Specifications - Rubber - in - Shear Double Deflection Floor Mount						
Model	Rated Load		Rated Deflection		Approx. WT.	
	lb.	KN	in	mm	lb.	Kg
IDR-A-Red	15 to 100	0.067 to 0.445	0.5	12.7	0.45	0.21
IDR-A-Blue	105 to 160	0.448 to 0.712	0.5	12.7	0.45	0.21
IDR-A-Black	175 to 250	0.779 to 1.113	0.5	12.7	0.45	0.21
IDR-A-Green	275 to 350	1.224 to 1.557	0.5	12.7	0.45	0.21
IDR-A-Yellow	375 to 500	1.669 to 2.225	0.5	12.7	0.45	0.21

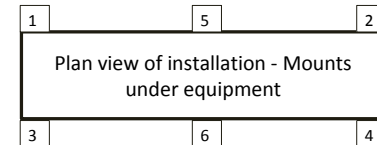
Model					
IDR-A					
L		W		H	
in	mm	in	mm	in	mm
3 7/8	99	2 5/16	59	1 7/8	48
T		M		øD	
in	mm	in	mm	in	mm
5/16	8	3	77	1 3/4	45
ød		øN			
in	mm	in	mm		
3/8	---	5/16	8		



**Note:**

Bottom Surface and top surfaces are ribbed to enhance isolation efficiency

IDR-A isolators include steel inserts embedded in neoprene for the full top and base areas



Project Information:		Equipment Information:	
Customer:		Type:	
Consulting Engineer:		Model:	
Acoustical Consultant:		Weight:	
Project:		Location in Bldg.:	
Drawing No.:		Qty Required	
Note:			

Isolators' Location	
1:	4:
2:	5:
3:	6: