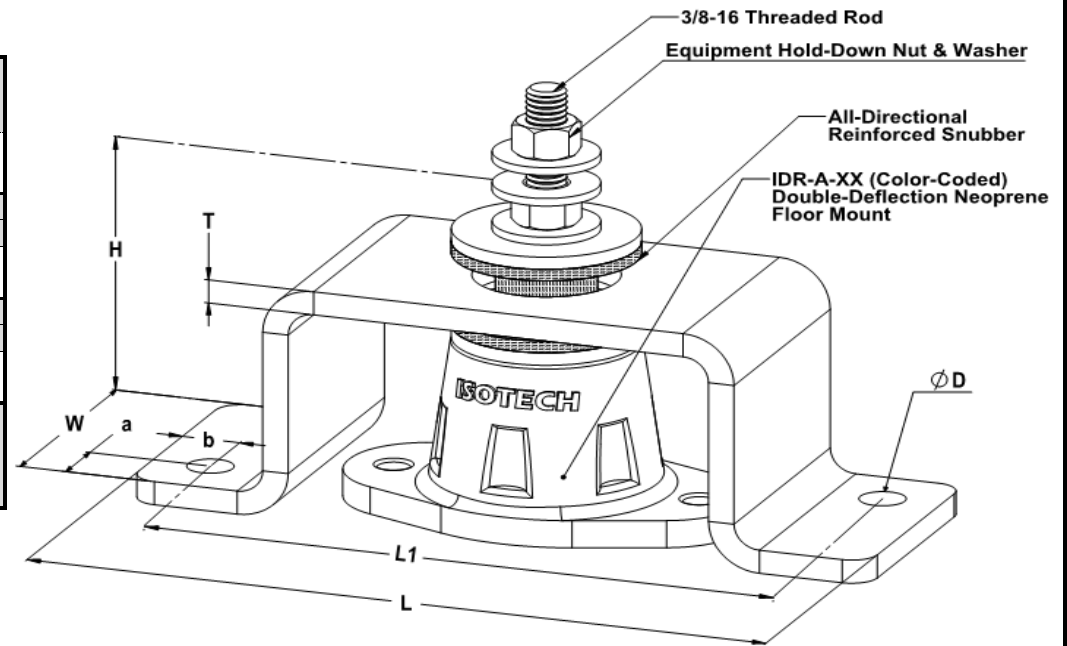


Specifications - Rubber - in - Shear Double Deflection Floor Mount

Model	Rated Load		Rated Deflection		Approx. WT.	
	lb.	KN	in	mm	lb.	Kg
ISDR-A-Red	15 to 100	0.067 to 0.445	0.5	12.7	2.65	1.21
ISDR-A-Blue	105 to 160	0.448 to 0.712	0.5	12.7	2.65	1.21
ISDR-A-Black	175 to 250	0.779 to 1.113	0.5	12.7	2.65	1.21
ISDR-A-Green	275 to 350	1.224 to 1.557	0.5	12.7	2.65	1.21
ISDR-A-Yellow	375 to 500	1.669 to 2.225	0.5	12.7	2.65	1.21

Model					
ISDR-A					
L		W		H	
in	mm	in	mm	in	mm
7 1/4	185	2 1/2	64	3 3/4	96
T		a		b	
in	mm	in	mm	in	mm
1/4	7	5/8	16	9/16	15
øD		L1			
in	mm	in	mm		
7/16	11	6 1/4	159		



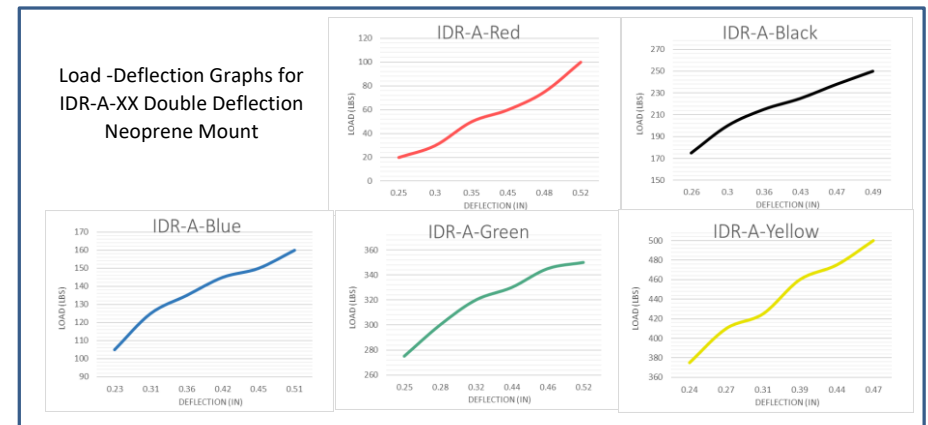
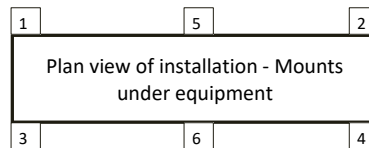
Note:

Housing and Threaded rod are made of high strength steel. ISDR housing is designed and manufactured to provide minimum resistance of 1.2g for lateral seismic load. Housing is powder-coated for corrosion resistance

All directional snubber is made of reinforced neoprene and is designed to prevent metal to metal contact. ISDR-A-XX must be installed so that snubbing elements have 1/8" to 1/4" clearance with housing under operating condition

IDR-A-XX Double Deflection Neoprene Mount's Bottom and Top surfaces are ribbed to enhance isolation efficiency

IDR-A isolators include steel inserts embedded in neoprene for the full top and base areas



Project Information:		Equipment Information:	
Customer:		Type:	
Consulting Engineer:		Model:	
Acoustical Consultant:		Weight:	
Project:		Location in Bldg.:	
Drawing No.:		Qty Required	
Note:			

Isolators' Location	
1:	4:
2:	5:
3:	6: