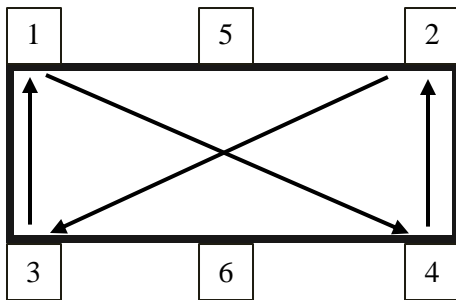
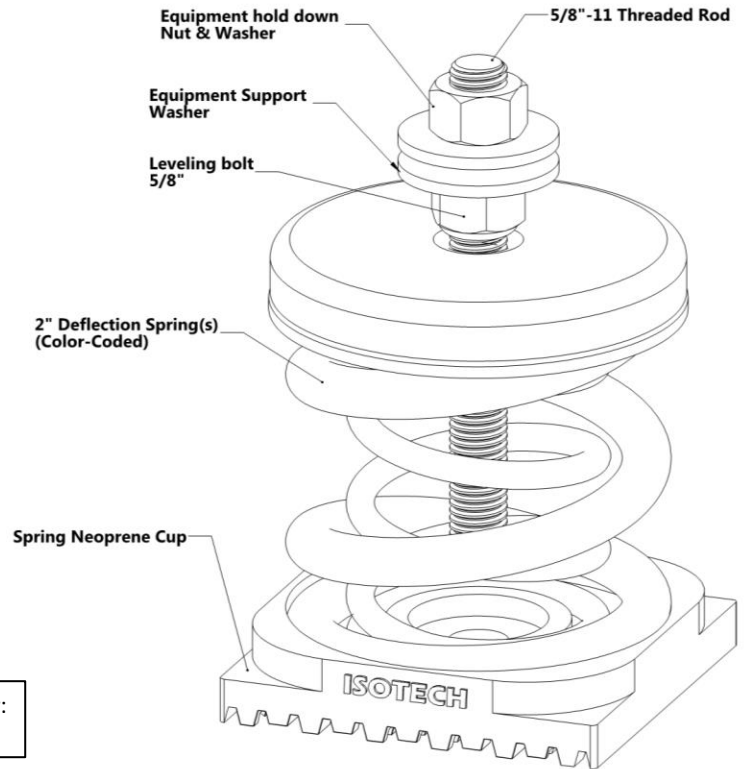
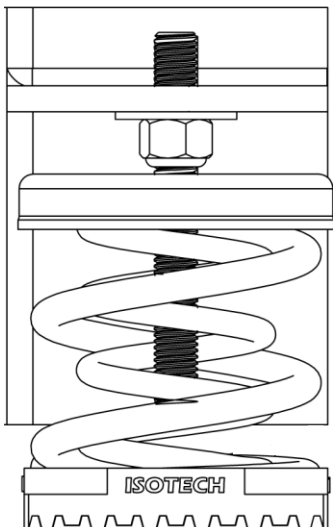


1. Refer to submittal package prepared by ISOTECH Industries and locate each isolator based on model # and identification tag provided
2. Remove equipment hold-down nut and washer
3. Use temporary support, such as shims, to get operating height required and lower equipment on springs – Pic. A
4. Follow star pattern sequence shown below and turn **leveling nut** counter clock-wise to free equipment from temporary support. Do not turn leveling bolt on one isolator more than 3 turns at a time – Pic. B

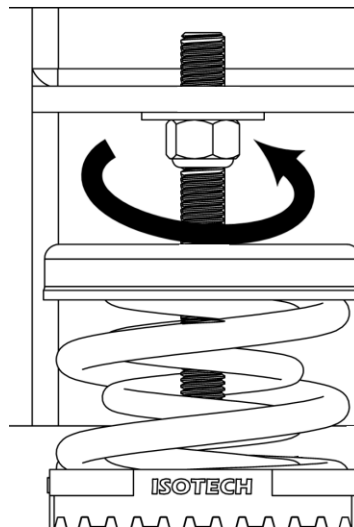


Star Pattern Order:
1,4,2,3, & 1

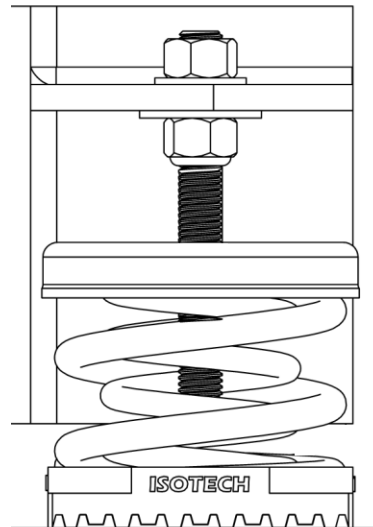
5. Once equipment is floating freely on isolators, tie down equipment hold-down nut – Pic. C



Pic. A



Pic. B



Pic. c